

WATER MAIN DROP GUIDELINES

PROJECT NAME:

WO/CO ACCT NO:

DRAFTED BY: GS

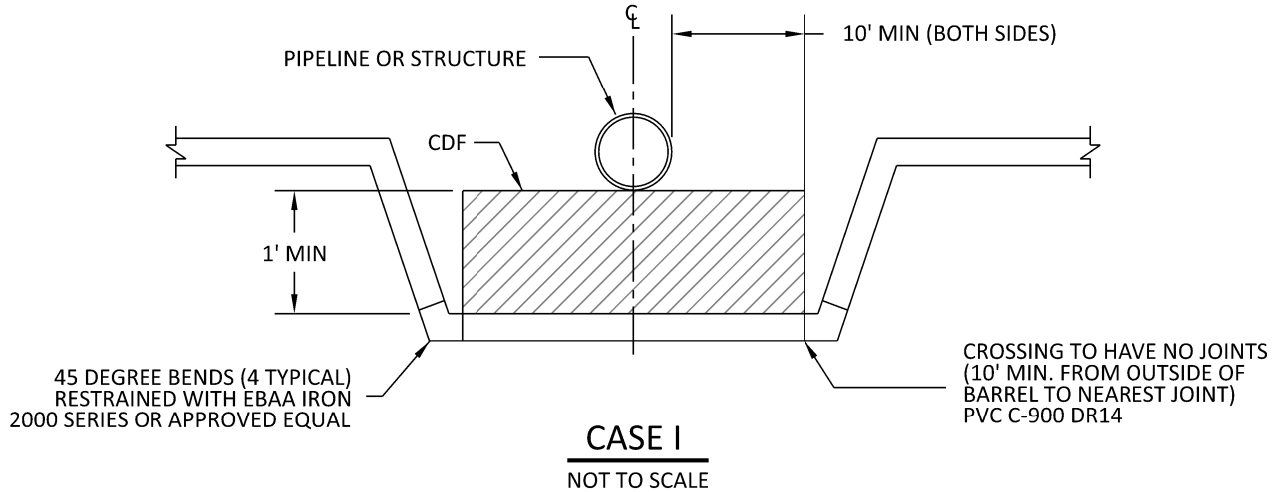
REVISION DATE: 11/20/2019

REVIEWED BY: ARMANDO ARROYO



CASE I:

1. ALL WATER MAIN 12" AND SMALLER GOING UNDERNEATH PIPELINE OR STRUCTURE SHALL BE PVC C-900 DR14 FOR CROSSINGS EXTENDING LESS THAN 20 FT AND SATISFIES GENERAL NOTE NO.2, UNLESS OTHERWISE APPROVED BY EMWD.
2. JOINT RESTRAINTS SHALL BE EBAA IRON 2000 SERIES OR APPROVED EQUAL.



CASE II:

1. ALL WATER MAIN 12" AND SMALLER GOING UNDERNEATH PIPELINE OR STRUCTURE THAT DOES NOT MEET THE CRITERIA FOR PVC PIPELINE WITH NO JOINTS UNDERNEATH THE PIPELINE INCLUDING THE 10 FOOT MINIMUM CLEARANCE PER CASE I SHALL USE CML&C 0.25" THICK, UNLESS OTHERWISE APPROVED BY EMWD.
2. ALL JOINTS SHALL BE FULL WELD DOUBLE PASS.

