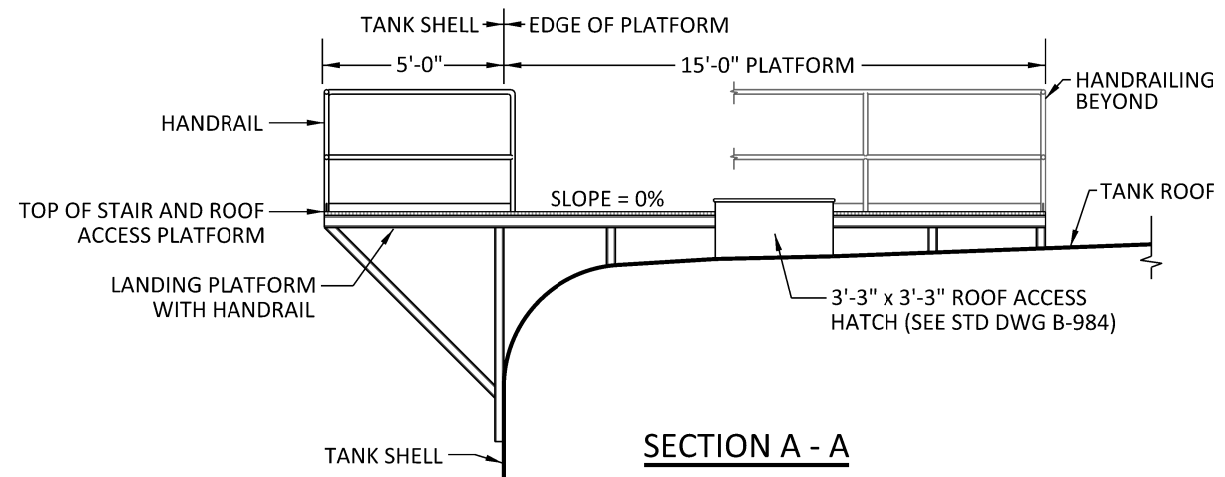
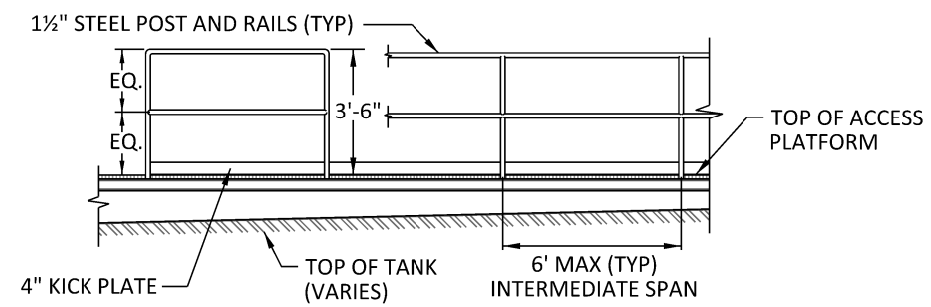


PLAN VIEW



SECTION A - A



ROOF HANDRAIL

SIDE VIEW

NOTES:

1. PLATFORM DESIGN LOAD = 125 PSF, HAND RAILING DESIGN LOAD PER ASCE 7 (CURRENT EDITION) AND CAL/OSHA
2. PLATFORM BRACING AND ANCHOR PLATE CONNECTIONS TO TANK PER CONTRACTOR DESIGN.
3. NO INTERIOR LADDER. CONFINED SPACE ENTRY ONLY.
4. FOR AN EXISTING TANK RETROFIT, CUT A NEW PENETRATION IN THE ROOF AND INSTALL A 6" SAMPLING PORT.
5. ROOF ACCESS PLATFORM SHALL BE PROVIDED FOR STEEL TANKS WITH 50-FT OR GREATER DIAMETER. APPLICATION FOR SMALLER TANKS SHALL BE EVALUATED ON A CASE-BY-CASE BASIS.
6. PLATFORM FRAMING AND ANCHOR ATTACHMENT SHALL BE DESIGNED TO ACCOMMODATE FALL PROTECTION LOADS PER CAL/OSHA SPECIFICATIONS. ANCHOR TYPE AND ARRANGEMENT SHALL BE SELECTED AND DESIGNED BY A QUALIFIED PERSON.
7. PLATFORM GRATING DESIGN BY CONTRACTOR. CONTRACTOR SHALL DEVELOP AND SUBMIT ENGINEERED FABRICATION DRAWINGS FOR FAVORABLE REVIEW BY EMWD. FIELD MODIFICATIONS WILL NOT BE PERMITTED
8. PERIMETER HANDRAIL SHALL BE INSET 6 INCHES FROM TOP OF KNUCKLE. WHERE NO KNUCKLE EXISTS, PERIMETER HANDRAIL SHALL BE INSET 6 INCHES FROM TANK SHELL. KICK PLATE SHALL BE CONTINUOUS UNDER ROOF ACCESS PLATFORM.
9. FINAL TOPCOAT SHALL INCLUDE NON-SKID SURFACE, APPLIED IN ACCORDANCE WITH COATING MANUFACTURER'S INSTRUCTIONS
10. CATHODIC PROTECTION SYSTEM ACCESS PORTS (HANDHOLES) SHALL BE LOCATED OUTSIDE OF ROOF ACCESS PLATFORM AREA TO EXTENT FEASIBLE. WHERE CP HANDHOLES MUST BE LOCATED BELOW THE PLATFORM, PROVIDE THRU-GRATING ACCESS VIA REMOVABLE GRATING SECTION FRAMED AT 12"x12" CLR MIN. WEIGHT OF REMOVABLE GRATING PANEL SHALL NOT EXCEED 50 LBS.
11. SUBJECT TO ISOLATION OF DISSIMILAR METALS; SUBJECT TO EMWD APPROVAL.
12. LOCATE MIXER ACCESS HATCH ASSEMBLY AS CLOSE TO TANK CENTER AS ROOF JOIST SPACING WILL ALLOW

SCHEDULE OF MATERIALS:

ROOF ACCESS HATCH	STEEL, PAINTED PER STD DWG B-984
HANDRAIL	STEEL, PAINTED TO MATCH TANK EXTERIOR
GRATING	STEEL, HOT-DIP GALVANIZED, OR ALUMINUM (SEE NOTE 11)
TREAD PLATE	STEEL, PAINTED TO MATCH TANK EXTERIOR, (SEE NOTE 9), OR ALUMINUM (SEE NOTE 11)
SELF CLOSING GATE	STEEL, POWDER COATED YELLOW
KICK PLATE	4 X STEEL CHANNEL, PAINTED TO MATCH TANK EXTERIOR

REVISIONS				APPROVALS		
NO.	DATE	INITIAL	DESCRIPTION	APP'D	DATE	DATE
4	10/10/24	GS	REVISED NOTES, ACCESS HATCH, SCHEDULE OF MATERIALS, ADDED MIXER HATCH, AND CONTROLLER PANEL	CRC	10/10/24	8/16/12
3	4/16/24	GS	REMOVED CRANE, REVISED NOTES AND CALLOUTS	CRC	4/16/24	8/29/12
2	7/18/23	AMZ	ADDED TIE-OFF ANCHORS, MOVED SAMPLING PORT	CRC	7/18/23	8/28/12
1	12/17/12	SL	REVISED ROOF HANDRAIL	GK	12/18/12	8/14/12

DESIGN	INITIAL	DATE
DESIGN	AGA	8/16/12
CONSTRUCTION	MJ	8/29/12
INSPECTION	CD	8/29/12
OPERATIONS	KG	8/28/12
SUBMITTED	GK	8/14/12



EASTERN MUNICIPAL WATER DISTRICT
STANDARD DRAWING

STEEL TANK ROOF ACCESS PLATFORM AND HATCH

REFERENCES:
FILE I.D.: J:\Master CAD Files - Restricted\B-979.dgn

SCALE: NONE
DRAWN BY: SL

RECOMMENDED: Joe Monawad 8/15/12
DIRECTOR OF ENGINEERING DATE

APPROVED: Charlie J. Bachmann 8/29/12
ASSISTANT GENERAL MANAGER DATE

B-979

