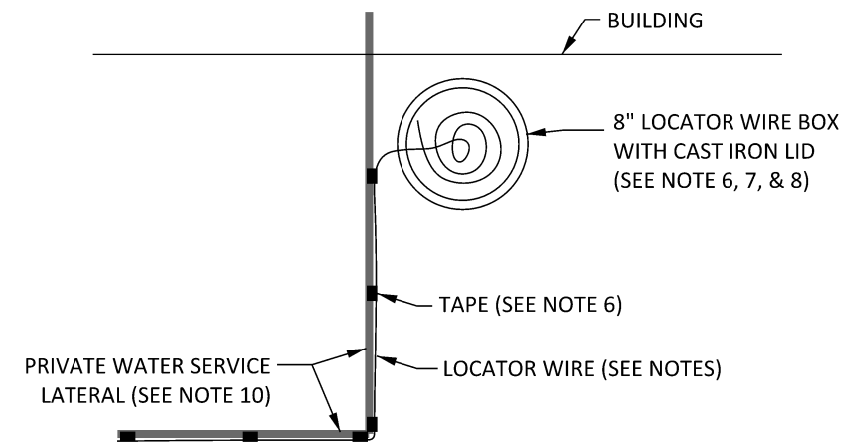


**PLAN VIEW**  
NOT TO SCALE



**NOTES:**

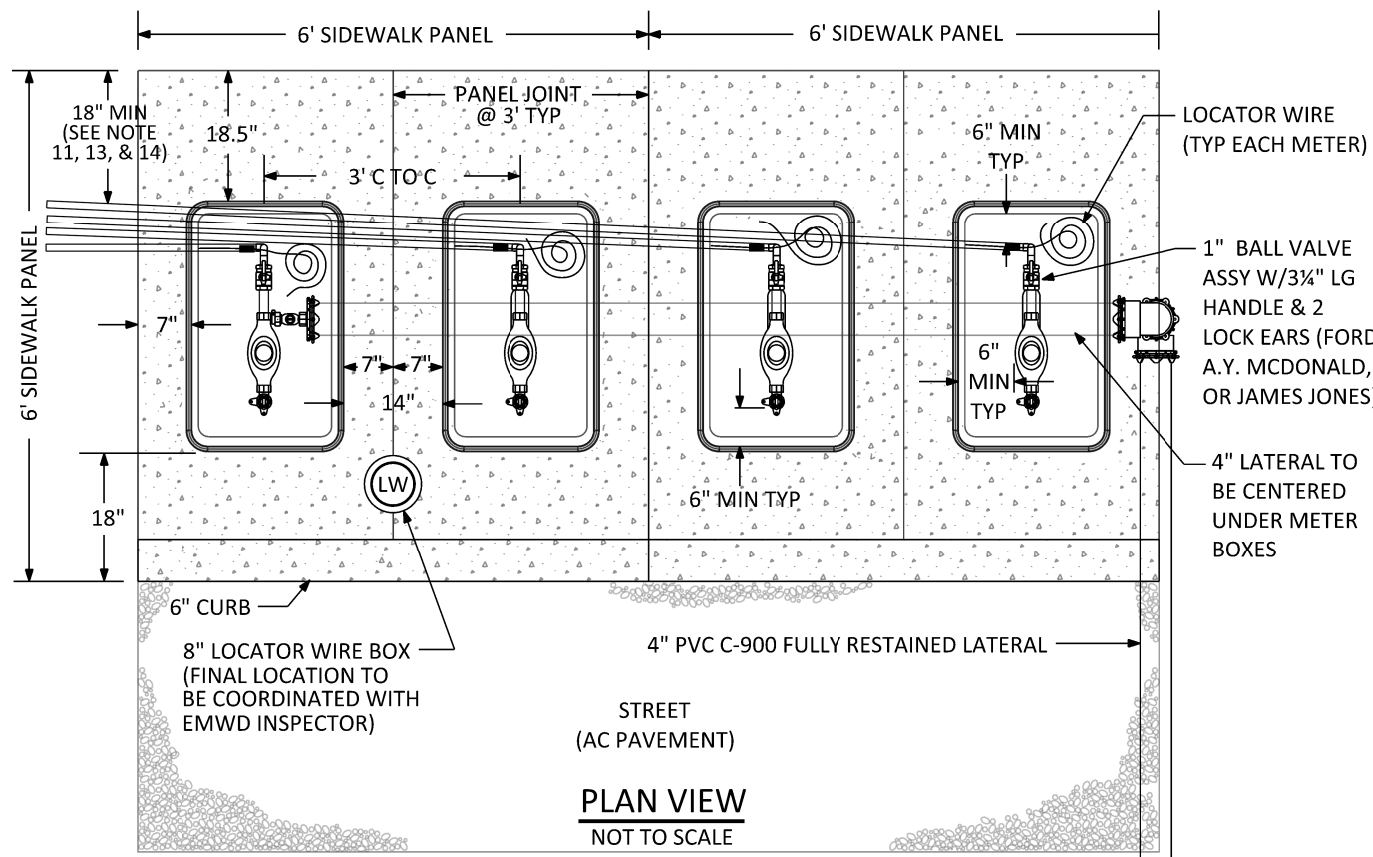
1. LOCATOR WIRE TO BE 14 GAUGE SOLID COPPER WIRE UF, THWN, OR THHN AND SHALL BE INSTALLED OVER PRIVATE WATER SERVICE LATERAL PIPELINES.
2. 6 FEET OF LOCATOR WIRE SHALL BE LEFT COILED WITHIN IN VALVE BOX.
3. 6 FEET OF LOCATOR WIRE SHALL BE LEFT COILED WITHIN THE METER BOX.
4. WIRE TO BE CONTINUOUS STRAND.
5. LOCATOR WIRE SHALL BE SECURED TO THE PRIVATE WATER SERVICE LATERAL PIPELINE WITH TAPE EVERY 10 FEET.
6. LOCATOR WIRE BOX TO BE INSTALLED WITHIN 6" OF THE BUILDING WHERE PRIVATE WATER SERVICE LATERAL ENTERS THE STRUCTURE.
7. LOCATOR WIRE BOX LID SHALL BE CAST IRON WITH LID LABELED "WATER".
8. PRIOR TO THE INSTALLATION OF THE WATER METER, A LOCATIBILITY TEST IS TO BE PERFORMED ON ALL LOCATOR WIRES BY EMWD.
9. PRIVATE WATER SERVICE LATERAL PIPELINES TO BE INSTALLED 18" INCHES UNDER HARDSCAPE, EDGE OF CONCRETE AT A MINIMUM.
10. METER BOXES SHALL NOT BE INSTALLED WITHIN CURB RETURN OR ADA RAMP AREAS.
11. 4" SERVICE LATER PIPELINE LOCATOR WIRE SHALL BE INSTALLED PER B-656.

NOTE: PRIVATE ALLEY SHALL BE DESIGNED TO PUBLIC STANDARDS (STREET WIDTH) WHEN SERVICES EXCEED 10 METERS PER ALLEY.

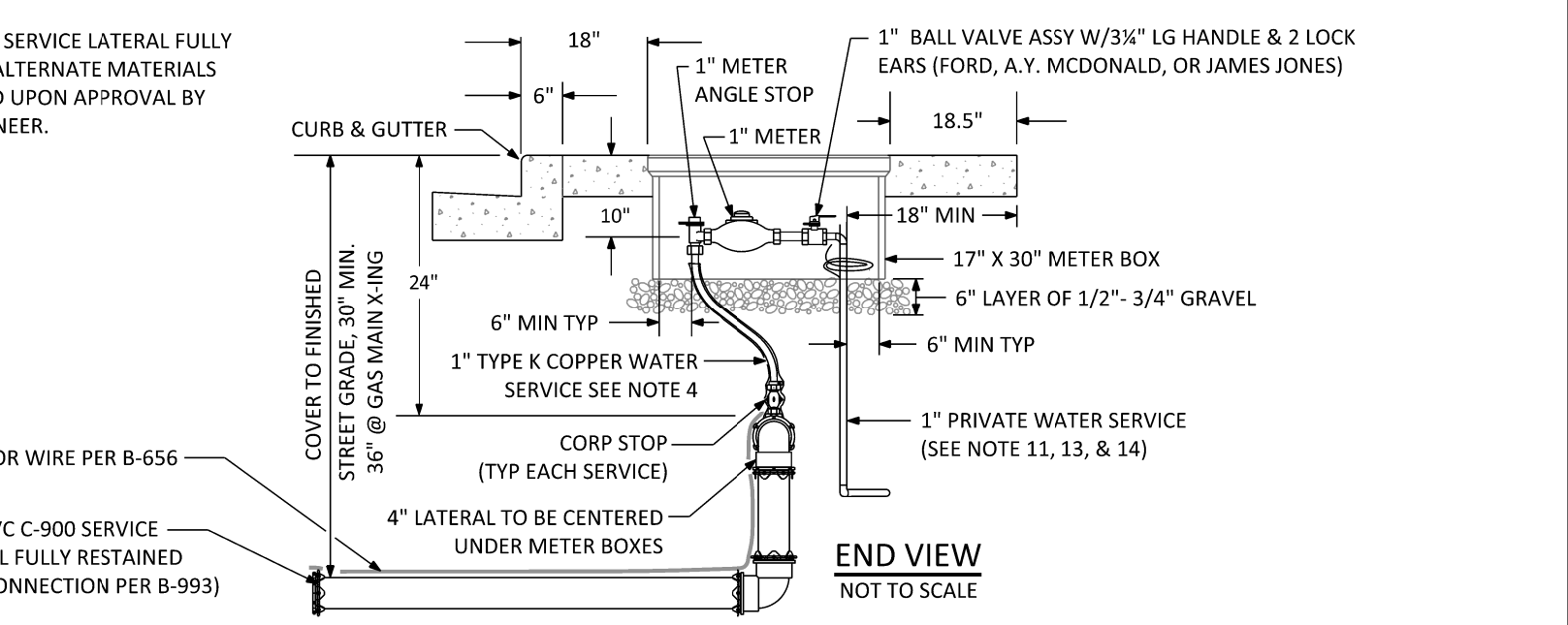
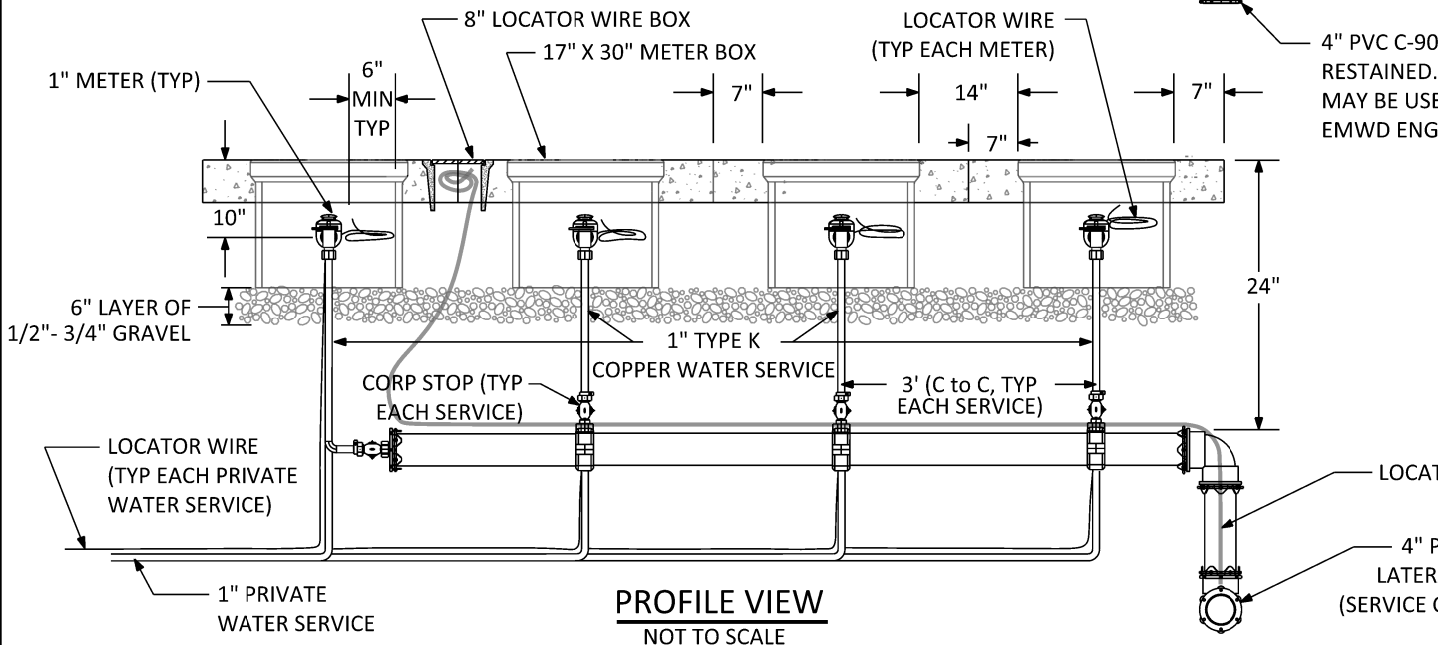


**DETAIL "A"**  
NOT TO SCALE

REVISIONS						APPROVALS			EASTERN MUNICIPAL WATER DISTRICT STANDARD DRAWING	
NO.	DATE	INITIAL	DESCRIPTION	APP'D	DATE		INITIAL	DATE		
						DESIGN	AGA	10/27/23	 EASTERN MUNICIPAL WATER DISTRICT	
						CONSTRUCTION	DB	11/13/23		
3	2/21/25	GS	REVISED NOTES AND ADDED LOCATOR WIRE BOX TO SIDEWALK	SL	2/21/25	INSPECTION	BAM	11/2/23		
2	9/12/24	GS	REVISED LATERAL DETAIL, CALL OUT, TITLE, RENUMBERED SHEETS	SL	9/12/24	OPERATIONS	JD	11/13/23		
1	4/24/24	GS	ADDED SHEET 3 ALTERNATIVE "A"	SL	4/24/24	SUBMITTED	AGA	10/27/23		
REFERENCES:				SCALE: NONE		RECOMMENDED		Shaun Stone	11/13/23	<b>RESIDENTIAL METER BANK INSTALLATION</b>  1 OF 2
FILE I.D.: J:\Master CAD Files - Restricted\B-1077				DRAWN BY: CM		APPROVED		Lanaya Alexander	11/13/23	
						DIRECTOR OF ENGINEERING		ASSISTANT GENERAL MANAGER		



- NOTES:**
- ALL FITTINGS INCLUDING, BUT NOT LIMITED TO, THE CORPORATION STOP AND ANGLE STOP VALVE SHALL:
    - BE MADE OF BRASS OR BRONZE ;
    - BE OF THE BANDED PATTERN ;
    - BE DESIGNED FOR A MIN OF 175 psi (COLD WATER) WORKING PRESSURE.
  - PRESSURE TEST PER EMWD SPECIFICATIONS.
  - ALL BARE STEEL SHALL BE COATED WITH CEMENT MORTAR PER EMWD SPECIFICATIONS. ALL DUCTILE IRON AND FITTINGS SHALL BE CEMENT MORTAR LINED AND WRAPPED WITH WAX TAPE.
  - ALL CORPORATION STOPS, VALVES, METAL APPURTENANCES AND FITTINGS (INCLUDING RESTRAINT FITTINGS) AT THE PIPELINE, SHALL BE PRIMED AND WRAPPED WITH WAX TAPE. BOLTS AND NUTS SHALL BE PROTECTED USING ZINC CAPS ANODES IN ACCORDANCE WITH SECTION 15089.
  - ALL LISTED MATERIALS TO BE PER EMWD APPROVED MATERIAL LIST.
  - ALL SERVICE PIPE AND TUBING SHALL BE LAID ON A POSITIVE SLOPE UP FROM THE WATER MAIN TO THE METER. NO DIPS OR POCKETS IN THE LINE WILL BE PERMITTED. 36" COVER SHALL BE AT GAS MAIN CROSSINGS.
  - THREAD NOTATION SHOWN THUS :
    - IP = IRON PIPE THREAD ;
    - CS = CORPORATION STOP (MUELLER) THREAD ;
    - PJ = PACK JOINT
  - CONTRACTOR SHALL RETURN AFTER ROAD SHOULDER OR PARKWAY IS COMPLETE TO INSTALL METER BOX, AND SHALL BE RESPONSIBLE FOR COORDINATING WORK OF OTHER CONTRACTORS FOR SAFEGUARDING SERVICES UNTIL METER BOXES ARE SET.
  - JUMPER ASSEMBLY USED FOR THE CONSTRUCTION OF THE METER SERVICE SHALL BE MADE OF SCHEDULE 80 PVC, HAVE ALL PVC FITTINGS SOLVENT WELDED AND MEET METER MANUFACTURES SPECIFICATIONS FOR METER INSTALLATION. JUMPER TO BE PAINTED BLUE (POTABLE JUMPERS ARE NOT TO BE USED FOR RECYCLED WATER).
  - METER BOX SHALL BE EMWD APPROVED J&R 17" x 30" 6B METER BOX WITH NICORE B36NLGRYWATfI LID, INCLUDING U-SCREW IN BRACKET.
  - METER AND LOCATOR WIRE BOXES ARE TO BE INSTALLED IN A MANNER THAT DOES NOT CREATE A TRIPPING HAZARD.
  - 1" POST METER SERVICE LATERALS TO MAINTAIN 18" MINIMUM OFFSET FROM THE EDGE OF CONCRETE (LATERALS REMAIN 18" UNDER CONCRETE).
  - THE MAXIMUM NUMBER OF METERS IS NOT TO EXCEED FIVE (5).
  - LOCATOR WIRE TO BE INSTALLED WITH EACH METER AND PRIVATE WATER SERVICE LATERAL. MINIMUM 6 FOOT COIL OF WIRE TO BE LEFT AT EACH END OF THE PRIVATE WATER SERVICE LATERAL RUN. SEE B-1077, PAGE 1 OF 2 FOR LOCATOR WIRE NOTES.
  - PRIVATE LATERAL PIPELINES TO BE INSTALLED WITH 4" CLEARANCE BETWEEN EACH PRIVATE LATERAL OR AS DIRECTED BY EMWD INSPECTOR.
  - METER BOXES SHALL NOT BE INSTALLED WITHIN CURB RETURN OR ADA RAMP AREAS.



REVISIONS					APPROVALS			EASTERN MUNICIPAL WATER DISTRICT STANDARD DRAWING	
NO.	DATE	INITIAL	DESCRIPTION	APP'D	DATE	DESIGN	INITIAL	DATE	RESIDENTIAL METER BANK INSTALLATION (4" PVC LATERAL)
						CONSTRUCTION	DB	4/16/24	
2	2/21/25	GS	REVISED CALL OUTS, NOTES, REMOVED AND RENUMBERED SHEETS AND ADDED LOCATOR WIRE BOX TO SIDEWALK	SL	2/21/25	INSPECTION	BAM	4/18/24	
1	9/12/24	GS	REVISED NOTES, CALL OUT, TITLE AND RENUMBERED SHEETS	SL	9/12/24	OPERATIONS	JD	4/16/24	B-1077A
						SUBMITTED	SL	4/15/24	
REFERENCES: FILE I.D.: J:\Master CAD Files - Restricted\B-1077				SCALE: NONE		RECOMMENDED		Shaun Stone DIRECTOR OF ENGINEERING	
				DRAWN BY: GS		4/19/24 DATE		APPROVED Lanaya Alexander ASSISTANT GENERAL MANAGER	
								4/22/24 DATE	

