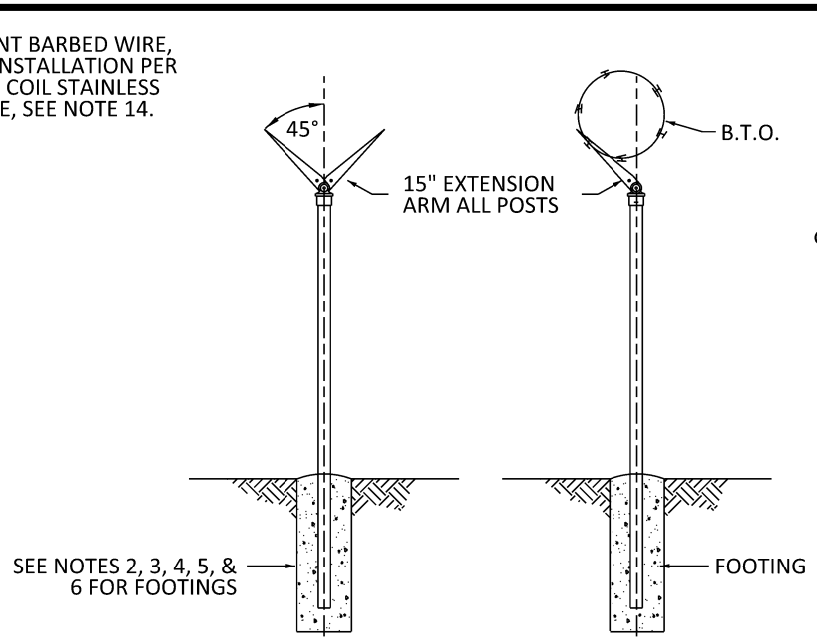
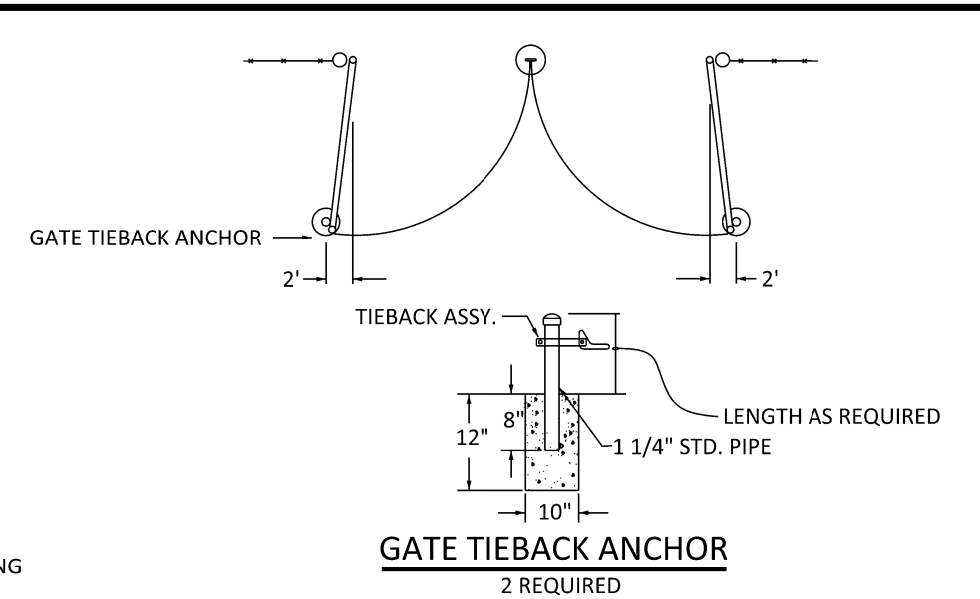


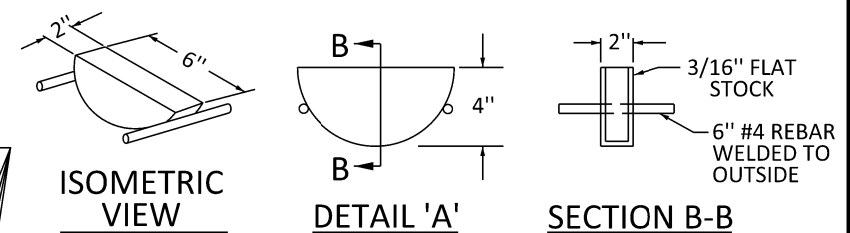
**TYPICAL ELEVATION OF FENCE & LINE POST INTERMEDIATE BRACING**  
N. T. S.



**EXTENSION ARM ELEVATION**  
N. T. S.



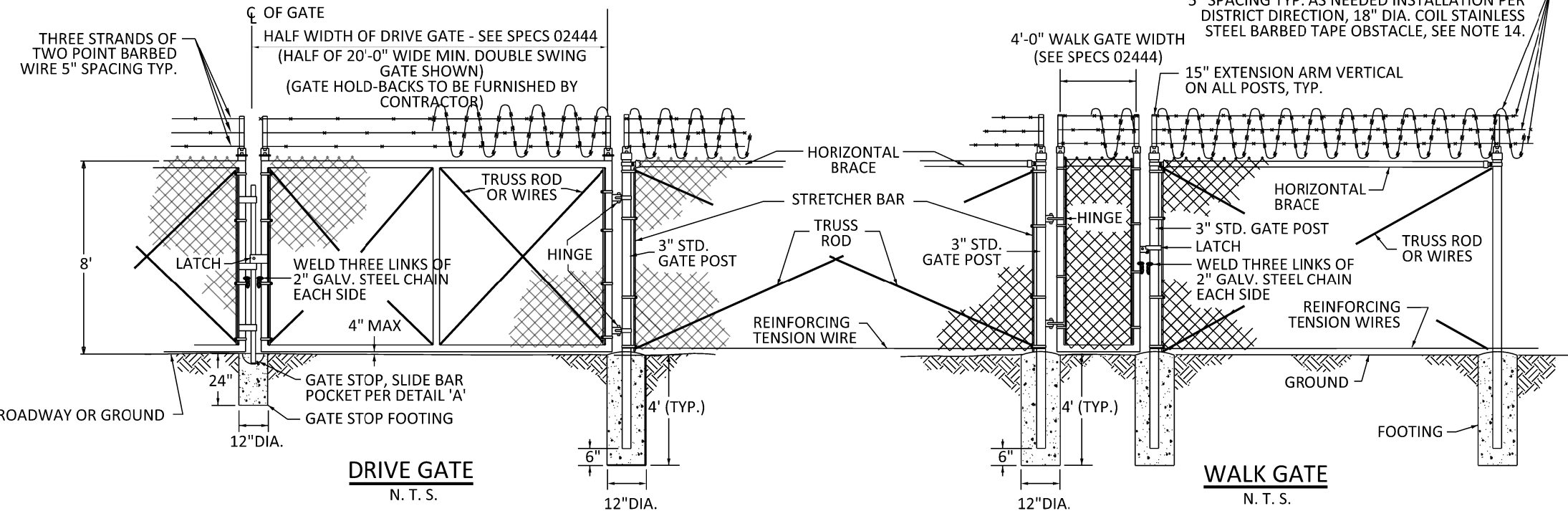
**GATE TIEBACK ANCHOR**  
2 REQUIRED



**ISOMETRIC VIEW**

**DETAIL 'A'**

**SECTION B-B**



**DRIVE GATE**  
N. T. S.

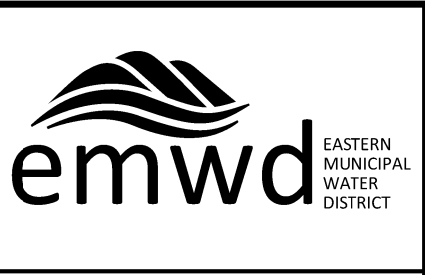
**WALK GATE**  
N. T. S.

**GENERAL NOTES**

1. ALL POSTS, BRACES, RAILS, HARDWARE, FENCING, AND BARBED WIRE SHALL BE NEW MATERIALS GALVANIZED AFTER FABRICATION IN ACCORDANCE WITH ASTM A-121, A-153, A-392, AND A-53/53M.
2. FOOTINGS SHALL BE CLASS "B" PORTLAND CEMENT CONCRETE.
3. FOOTING DIAMETER SHALL BE 12" MINIMUM OR 4 (FOUR) TIMES THE OUTSIDE DIAMETER OF THE POST.
4. FOOTING DEPTH SHALL BE 3' MIN. FOR FENCE LINE POSTS.
5. FOOTING DEPTH SHALL BE 4' MIN. FOR GATE POSTS.
6. FOOTING TOP SHALL BE CROWNED FOR DRAINAGE AWAY FROM POST.
7. LINE POST SHALL HAVE INTERMEDIATE BRACING AT INTERVALS AS SHOWN ON THE CONSTRUCTION PLANS.
8. REFER TO SPECIFICATIONS FOR WIRE GAUGES AND SIZING OF FENCE POSTS, GATES AND BRACES.
9. REFER TO CONTRACT DRAWINGS FOR LOCATION, WIDTH AND TYPES OF GATES TO BE CONSTRUCTED.
10. GATE EXTENSION ARMS TO BE POSITIONED SO THAT THE GATE CAN BE FULLY OPENED.
11. GATES SHALL SWING INWARD.
12. HINGES TO BE SECURED TO PREVENT LIFTING OF GATES.
13. POST SPACING SHALL BE MODIFIED NEAR DRAINAGE SWALES TO ALLOW FOR POST PLACEMENT IN FLOW LINE OF DRAINAGE SWALES.
14. CONTRACTOR AND EMWD STAFF TO CONFIRM USE OF STEEL BARBED TAPE WITH EMWD SAFETY EMERGENCY RISK MANAGEMENT.

REVISIONS				APPROVALS		
NO.	DATE	INITIAL	DESCRIPTION	APP'D	DATE	

APPROVALS		
DESIGN	INITIAL	DATE
CONSTRUCTION	WJC	1/25/23
INSPECTION	DB	1/20/23
OPERATIONS	BAM	1/10/23
SUBMITTED	MM	1/20/23
	AGA	1/18/23



**EASTERN MUNICIPAL WATER DISTRICT  
STANDARD DRAWING**

**CHAIN LINK FENCE**

REFERENCES: SUPERSEDES D-672  
FILE I.D.: J:\Master CAD Files - Restricted\B-1075

SCALE: NONE  
DRAWN BY: GS

RECOMMENDED *Shaun Stone* 1/9/23  
DIRECTOR OF ENGINEERING DATE

APPROVED *Lanaya Alexander* 1/9/23  
ASSISTANT GENERAL MANAGER DATE

**B-1075**