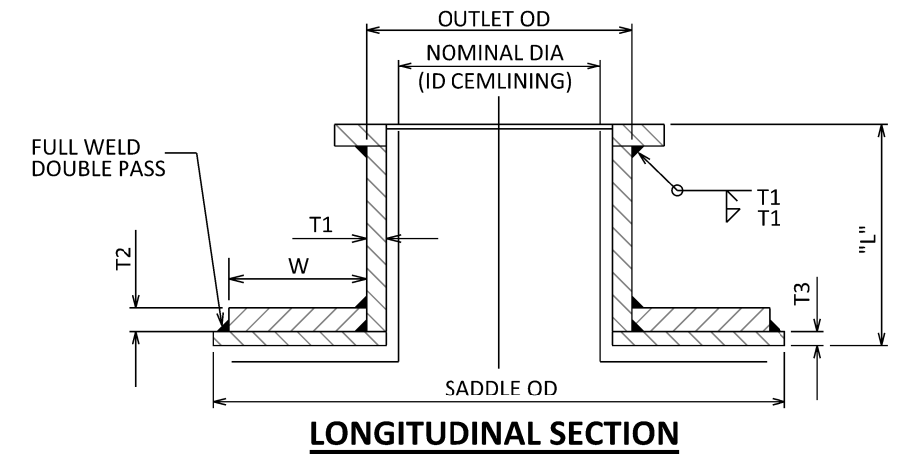


OUTLET DIMENSIONS		SADDLE SIZE	SADDLE O.D.
NOM DIA	T1 (MIN)	T2 X W	OD
4"	12 GA	5/16" X 2"	10"
6"	12 GA	5/16" X 3"	13"
8"	12 GA	3/8" X 4"	17"
12"	3/16"	3/8" X 6"	25"
14"	1/4"	3/8" X 7"	29"
16"	1/4"	1/2" X 7"	31"
18"	1/4"	1/2" X 8"	36"
20"	1/4"	1/2" X 9"	40"
24"	5/16"	1/2" X 10"	46"
30"	5/16"	1/2" X 12"	56"
36"	5/16"	1/2" X 14"	66"



NOTES:

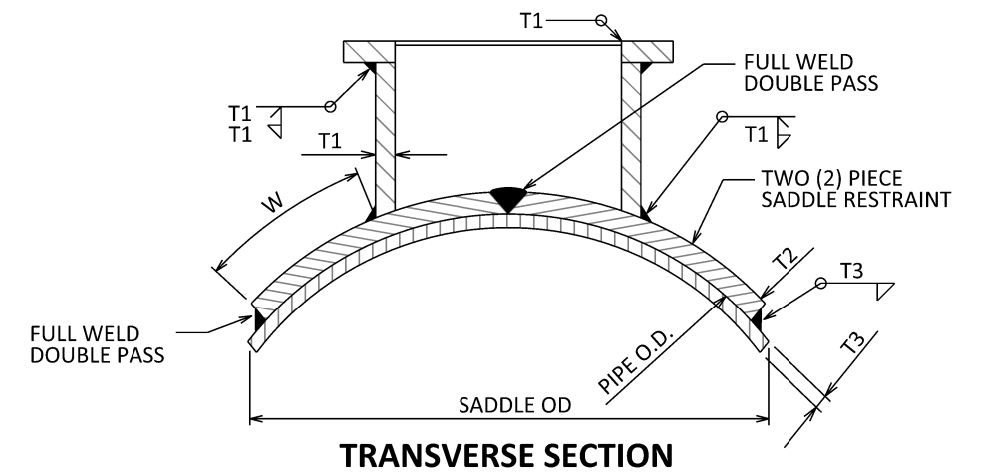
- SADDLE CURVATURE TO BE SHOP FORMED TO MEET OUTSIDE STEEL DIAMETER OF PIPE.
- AFTER SHOP WELDING OF HALF COUPLING TO CURVED SADDLE, SHOP GRIND HALF COUPLING TO MEET DIAMETER OF PIPE.

SERVICE SADDLE OUTLETS			
CORPORATION STOPS	EXTRA HEAVY HALF COUPLING SIZE	SADDLE OUTSIDE DIA	SADDLE PLATE THICKNESS
3/4" (CS)	1-1/4" (IP)	4-1/2" (OD)	3/16"
1" (CS)	1-1/4" (IP)	4-1/2" (OD)	3/16"
1-1/2" (IP)	2-1/2" (IP)	6-1/2" (OD)	1/4"
2" (IP)	2-1/2" (IP)	6-1/2" (OD)	1/4"

WELDED SERVICE SADDLE OUTLETS SHOWING BRONZE BUSHING FOR 3/4" THRU 2" CORPORATION STOPS

NOTES:

- OUTLETS ARE DESIGNED FOR A MAXIMUM TEST PRESSURE OF 225 PSI.
- ALL SADDLE REINFORCEMENT WILL BE TWO (2) PIECE.
- ALL OUTLETS GREATER THAN 50% OF EXISTING PIPELINE WILL BE FULL WRAP SADDLE REINFORCING.
- FABRICATION SHALL BE IN ACCORDANCE WITH AWWA M-11 MANUAL, LATEST EDITION.
- ALL OUTLETS SHALL BE CEMENT MORTAR LINED AND COATED. ALL OTHER BARE METAL SHALL BE COATED WITH AN APPROVED BITUMASTIC. (PRIMER 1170 AND WRAPPED WITH PROTECTO-WRAP)
- REFER TO B-288 FOR FLANGE DIMENSIONS.
- L = 12" FOR SHOP FABRICATED OUTLETS. L = 5" MIN/6" MAX FOR FIELD INSTALLED WET TAPPED OUTLETS.
- T3 IS THE PIPE CYLINDER THICKNESS.



REVISIONS				APPROVALS			EASTERN MUNICIPAL WATER DISTRICT STANDARD DRAWING	
NO.	DATE	INITIAL	DESCRIPTION	APP'D	DATE	DESIGN	INITIAL	DATE
						DESIGN	JD	5/5/21
						CONSTRUCTION	DB	7/7/21
						INSPECTION	RAM	5/5/21
						OPERATIONS	DG	7/7/21
						SUBMITTED	AGA	4/30/21

emwd EASTERN MUNICIPAL WATER DISTRICT

HOT TAP SADDLE OUTLETS
3/4" TO 36" DIAMETERS

REFERENCES: FILE I.D.: \kawaii\eng\std dwgs\B-271A.dgn	SCALE: NONE DRAWN BY: GS	RECOMMENDED <i>Shaun Stone</i> DIRECTOR OF ENGINEERING 7/14/21 DATE	APPROVED <i>Lanaya Alexander</i> ASSISTANT GENERAL MANAGER 8/23/21 DATE	B-271A
---	-----------------------------	---	---	---------------