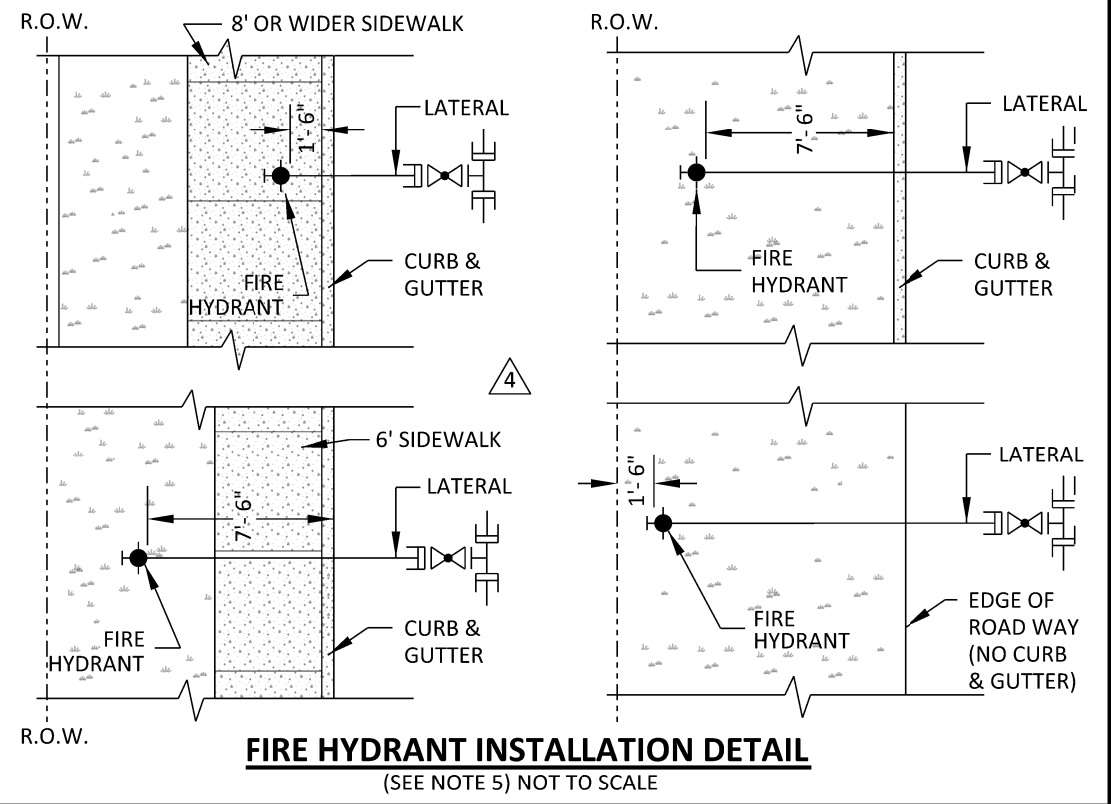
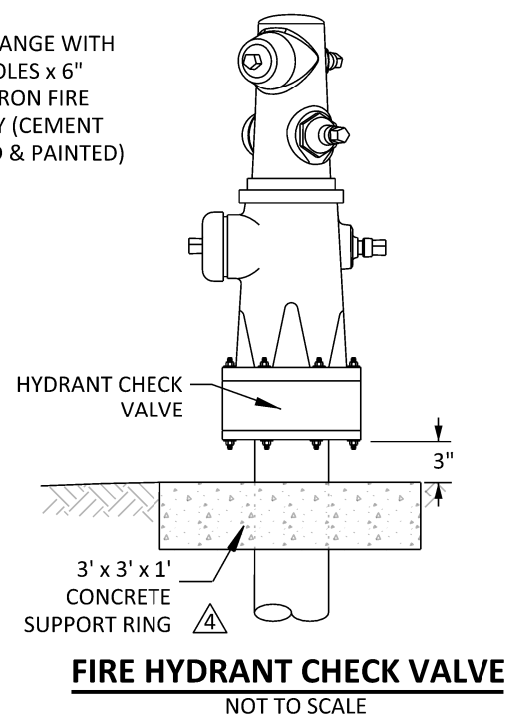



- NOTES:**
- HYDRANT TO BE PAINTED OSHA SAFETY YELLOW OR APPROVED EQUAL.
 - HYDRANT TOPS AND NOZZLE CAPS, 1500 gpm OR GREATER, TO BE LIGHT BLUE.
 - HYDRANT TOPS AND NOZZLE CAPS, 1000 gpm TO 1499 gpm, TO BE GREEN.
 - HYDRANT TOPS AND NOZZLE CAPS, 500 gpm TO 999 gpm, TO BE ORANGE.
 - HYDRANT TOPS AND NOZZLE CAPS, LESS THAN 500 gpm, TO BE RED.
 - USE RESTRAINED JOINTS PER B-663 FOR PVC AND DUCTILE IRON. CONCRETE FOR THRUST BLOCKS AND SUPPORTS TO BE CLASS "C" (2000 PSI) CONCRETE PER B-407.
 - ALTERNATE MATERIALS MAY BE USED WHEN SPECIFIED.
 - FIRE HYDRANT LOCATIONS:
 - FIRE HYDRANT SHALL BE PLACED:
 - 1'-6" BEHIND CURB FACE WHEN WIDTH OF SIDEWALK IS 8' OR WIDER.
 - 7'-6" BEHIND CURB FACE WHEN WIDTH OF SIDEWALK IS 6' WIDE.
 - 7'-6" BEHIND CURB FACE WHEN THERE IS NO SIDEWALK.
 - 1'-6" WITHIN ROAD RIGHT-OF-WAY WHEN NO CURBS OR SIDEWALKS ARE PROPOSED.
 - FIRE HYDRANT TO BE 1 FT BACK FROM INTERSECTION OF SIDEWALK WITH CORNER APRON.
 - AT OTHER THAN STREET INTERSECTIONS FIRE HYDRANTS TO BE ON LOT LINES.
 - FIELD COATING FOR EXPOSED PIPE SHALL BE PER EMWD SPECIFICATIONS AND APPROVED MATERIALS.
 - A MINIMUM OF 3 FT CLEAR SPACE SHALL BE MAINTAINED AROUND THE CIRCUMFERENCE OF THE FIRE HYDRANT.
 - WHEN EMWD FIRE HYDRANTS ARE INSTALLED IN AREAS PRONE TO BEING STRUCK BY VEHICLES, FIRE HYDRANT MUST INCLUDE A HYDRANT GUARD MODEL HG1-611-822 OR HG2-611-822 HYDRANT CHECK VALVE OR APPROVED EQUAL. (I.E. PARKING ISLANDS, ADJACENT DRIVE AISLES, NON-STANDARD WIDTH STREETS, FIRE HYDRANT 18-INCHES FROM CURB FACE, ETC).
 - LENGTH OF BREAK-OFF RISER TO BE DETERMINED BY THE DIFFERENCE IN ELEVATION BETWEEN THE CENTER GRADE OF THE LOWEST FIRE HYDRANT OUTLET AND THE TOP OF THE CURB, LESS THE LENGTH FOR THE FIRE HYDRANT BURY. IF THE BREAK-OFF RISER EXCEEDS 24", USE THE NEXT ONE FOOT LONGER BURY. UNDER NOTE 5A.2 & 5A.3 ABOVE, ADD 2" RISER TO ALLOW FOR SIDEWALK SLOPE.



REVISIONS						APPROVALS			 EASTERN MUNICIPAL WATER DISTRICT	EASTERN MUNICIPAL WATER DISTRICT STANDARD DRAWING	
NO.	DATE	INITIAL	DESCRIPTION	APP'D	DATE	DESIGN	INITIAL	DATE		6" x 2-2 1/2" x 1-4" FIRE HYDRANT INSTALLATION AC, PVC, & DI PIPE	
4	6/1/23	GS	REVISED F.H. SETBACK, TITLE BLOCK, LOGO, NOTES, ADDED BREAKOFF CHECK VALVE & PLACEMENT DETAILS	AG	6/1/23	CONSTRUCTION					
3	10/2/06	RE	REVISED F.H. DIMENSION, GRADE & BREAK-OFF NOTES	JM	10/10/06	INSPECTION					
2	3/7/00	GR	REV NOTES 1,2,4,6,7, ADD CONC SUPPORT & DIMS	VJB	5/19/00	OPERATIONS	PK	5/18/93			
1	3/30/93		REDRAWN W/CADD ON MYLAR	VJB	7/2/93	SUBMITTED	VJB	5/19/93			
REFERENCES:				SCALE: NONE		RECOMMENDED		Joseph D. Van Sickle 6/1/93		APPROVED G Hauite Rugge 7/2/93	
FILE I.D.: J:\Master CAD Files - Restricted\B-517				DRAWN BY: GS		DIRECTOR OF ENGINEERING		DATE		CHIEF ENGINEER	
										B-517	4