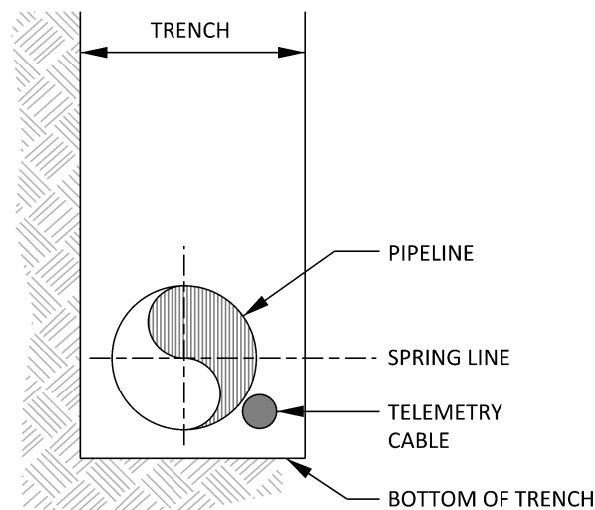
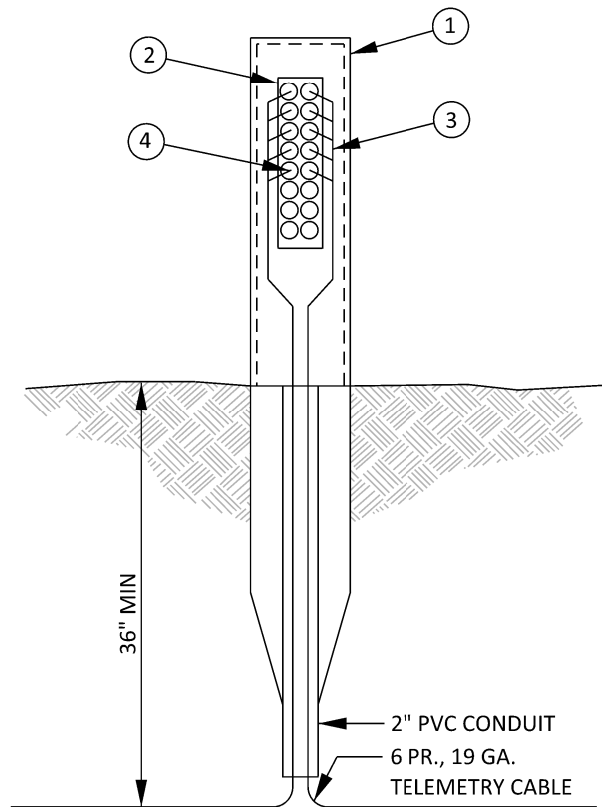


**TERMINAL PLAN VIEW**



**CABLE LOCATION**




**TERMINAL PROFILE**

**NOTES:**

1. TERMINAL AND PEDESTAL TO BE ASSEMBLED AND INSTALLED PER MANUFACTURER'S RECOMMENDATIONS
2. TERMINALS TO BE INSTALLED 18" WITHIN RIGHT OF WAY OR EASEMENT AT 2000' INTERVALS.
3. 6 PAIR, 40 VOLT CAPACITY, 19 GAUGE, SOLID TELECOMMUNICATIONS CABLE. JELLY FILLED POLYETHYLENE INNER JACKET, 5 MIL COPPER SHIELD, POLYETHYLENE JACKET FOR DIRECT BURIAL CABLE.
4. CONTRACTOR SHALL PROVIDE A 50' COIL OF TELEMETRY CABLE AT THE BEGINNING AND END OF THE JOB.
5. WHERE AN UNDERGROUND SPLICE IS APPROVED BY EMWD, SPLICE SHALL BE MADE WITH A 3M #72-N2 THERMAL FIT CABLE REPAIR SLEEVE OR APPROVED EQUAL AND PERFORMED BY A QUALIFIED CABLE SPLICER
6. ALL MATERIALS TO BE PER EMWD APPROVED MATERIAL LIST

**MATERIALS:**

ITEM	QTY	DESCRIPTION
①	1	8" CIRCULAR PEDESTAL ENCLOSURE W/ "EMWD" STENCIL ATTACHED TO FRONT COVER.
②	1	TERMINAL BLOCK
③	1	12" DIN RAIL
④	2	TERMINAL END STOPS
⑤	LF	2" PVC CONDUIT
⑥	LF	6 PR., 19 GAUGE TELEMETRY CABLE

REVISIONS					APPROVALS			EASTERN MUNICIPAL WATER DISTRICT STANDARD DRAWING	
NO.	DATE	INITIAL	DESCRIPTION	APP'D	DATE	DESIGN	INITIAL	DATE	 EASTERN MUNICIPAL WATER DISTRICT
						CONSTRUCTION			
③	9/11/20	GS	UPDATE TITLE BLOCK, LOGO AND FONT	AGA	9/11/20	INSPECTION			
②	8/19/05	CM	ADDED EMWD STENCIL	VJB	8/19/05	OPERATIONS	CAG	2/76	
①	5/26/00	KER	REDRAWN W/CADD ON MYLAR	VJB	6/2/00	SUBMITTED	LM	2/76	
REFERENCES:				SCALE: NONE		<b>TELEMETRY WIRE AND TERMINAL</b>			
FILE I.D.: \kauai\eng\std dwgs\B-533.dgn				DRAWN BY: KER					