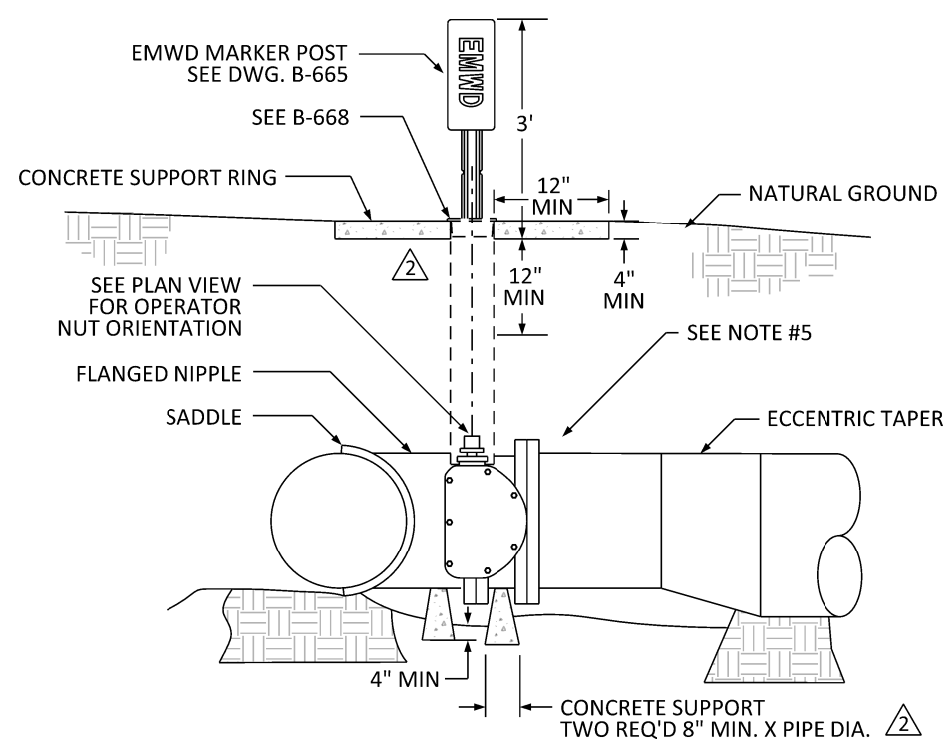


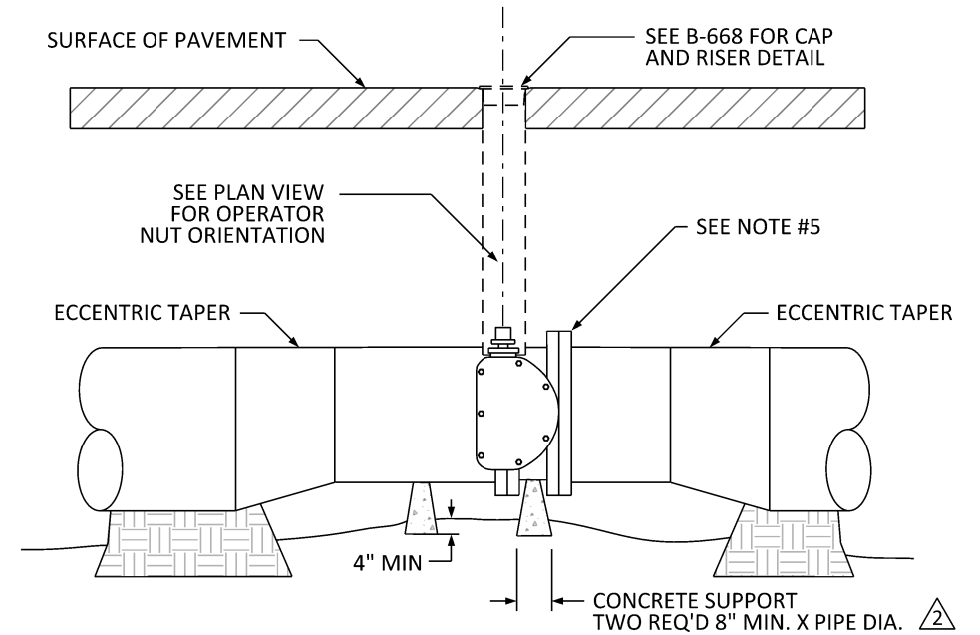
C. I. FITTING INSTALLATION

SHOWING OPEN FIELD
NOT TO SCALE



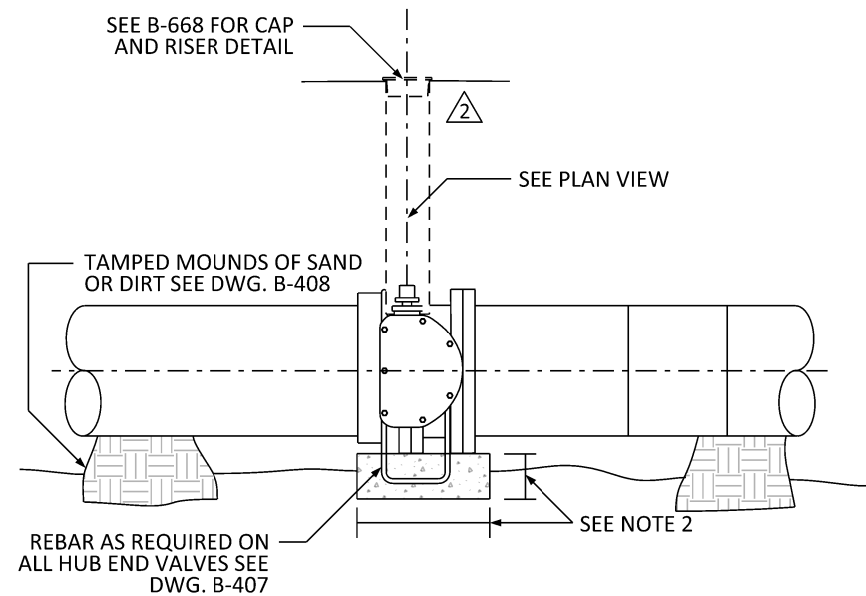
SADDLE OUTLET INSTALLATION

SHOWING UNIMPROVED ROADWAY
NOT TO SCALE



IN LINE VALVE INSTALLATION

SHOWING PAVED STREET
NOT TO SCALE



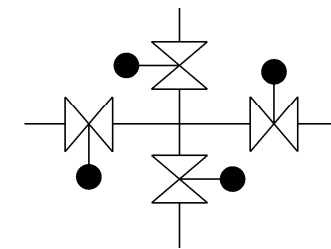
AC, PVC, AND DI PIPELINE INSTALLATION

NOT TO SCALE

NOTES:

1. ALL FLEXIBLE JOINTS IN PIPELINES FROM VALVES OR IN BRANCH LINES SHALL BE WELDED OR RESTRAINED TO PROVIDE ANCHORAGE FOR UNBALANCED FORCES.
2. CONCRETE SUPPORTS TO AVOID INTERFERENCE WITH BOLTED OR HUB END CONNECTIONS AND SHALL BE POURED AGAINST UNDISTURBED EARTH.
3. ALL STEEL FLANGES SHALL BE PRIMED AND COATED PER EMWD SPECIFICATIONS.
4. ALL STEEL PIPE AND FITTINGS SHALL BE COATED WITH THE SAME MATERIAL AS SUPPLIED ON THE PIPE.
5. USE VICTAULIC COUPLING ONLY IF REQUIRED BY THE ENGINEER OR IF SPECIFICALLY NOTED ON THE PLANS.

VALVE OPERATOR NOT TO BE PLACED COUNTER CLOCKWISW OF VALVE



PLAN VIEW

NOT TO SCALE

REVISIONS				APPROVALS			EASTERN MUNICIPAL WATER DISTRICT STANDARD DRAWING
NO.	DATE	INITIAL	DESCRIPTION	APP'D	DATE	DATE	
						DESIGN	<i>JLS</i>
						CONSTRUCTION	
△	9/11/20	GS	UPDATED TITLE BLOCK, FONT, LOGO AND VALVE ASSEMBLY			INSPECTION	
			ADDED SUPPORT RING AND RAISED VALVE CAN TO GRADE	<i>ACA</i>	9/11/20	OPERATIONS	
△	10/97	TS	REDRAWN WITH CADD ON MYLAR	<i>VJB</i>	1/23/98	SUBMITTED	<i>LM</i> 3/17/81
REFERENCES:				SCALE: NONE			EASTERN MUNICIPAL WATER DISTRICT INSTALLATION OF BUTTERFLY VALVES
FILE I.D.: \kawaii\eng\std dwgs\B-577.dgn				DRAWN BY: XXX			
				RECOMMENDED _____			APPROVED <i>James H. Bunts Jr.</i>
				DIRECTOR OF ENGINEERING _____			ASSISTANT GENERAL MANAGER _____
				DATE _____			DATE _____
							B-577