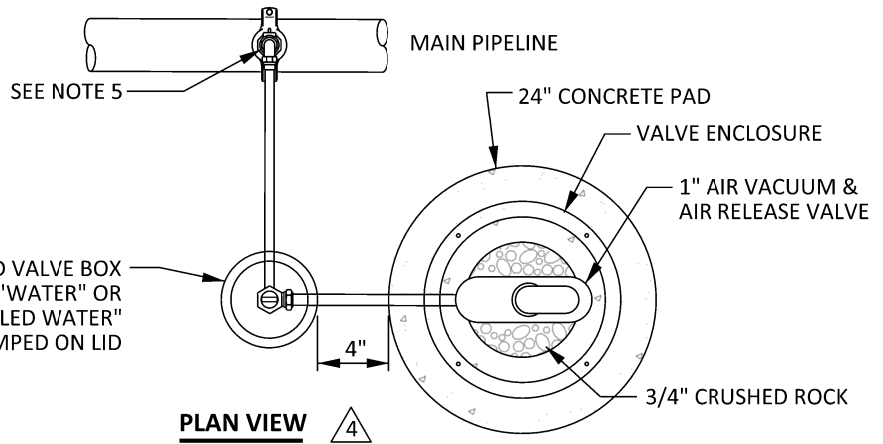
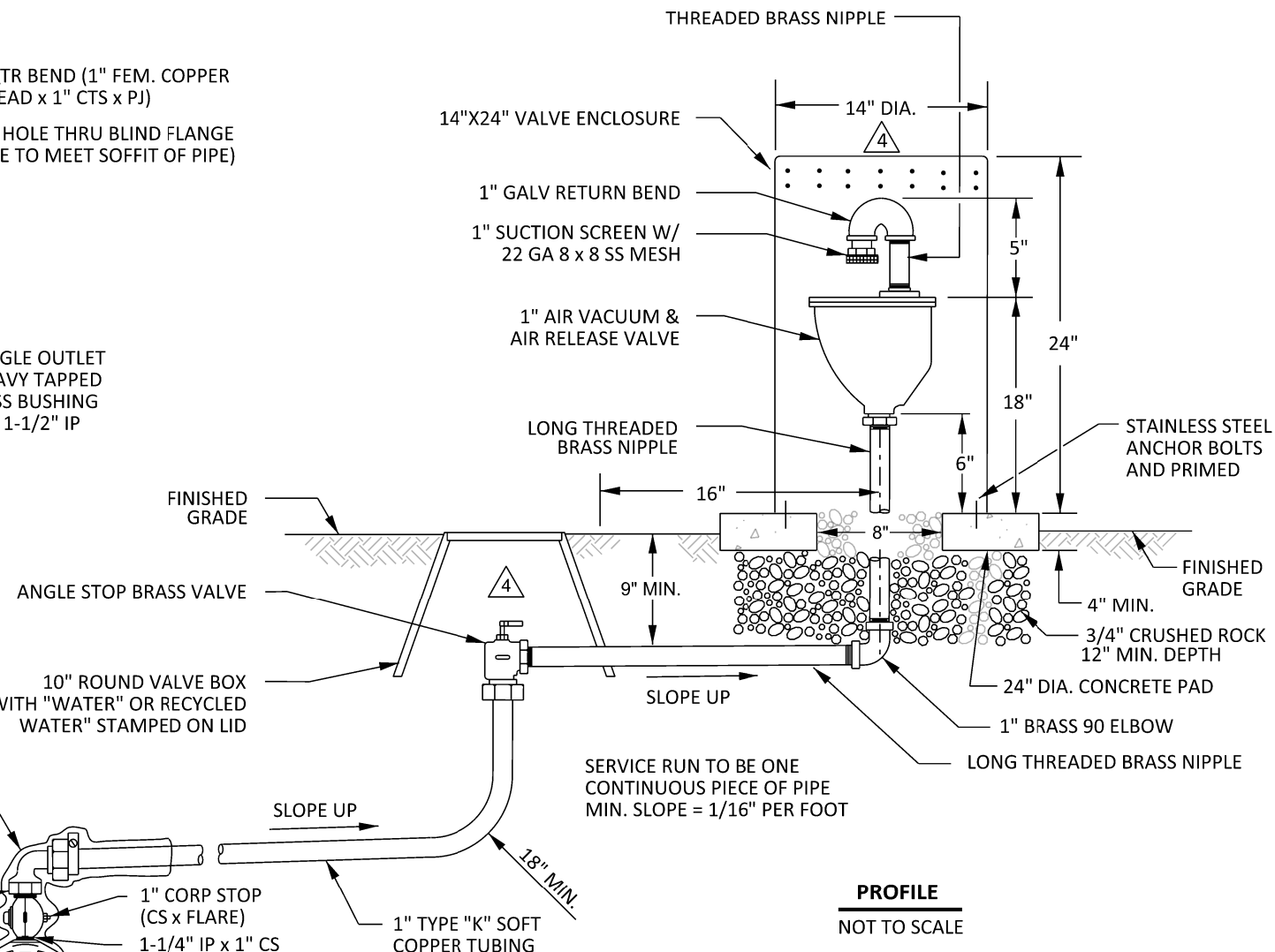
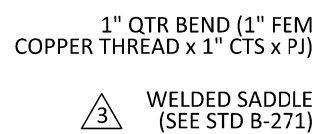
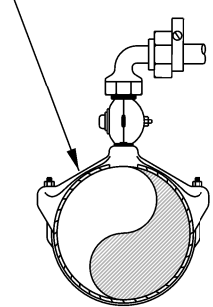


SERVICE CLAMP (1" CS) SINGLE STRAP FOR 4" THRU 8" PIPE, DOUBLE STRAP FOR 12" AND ABOVE



- NOTES:**
- ALL FITTINGS BETWEEN THE CORP. STOP AND AIR VALVE SHALL BE:
 - MADE OF BRASS OR BRONZE;
 - MADE OF THE BANDED PATTERN;
 - DESIGNED FOR A MIN. OF 175 PSI (COLD) WATER WORKING PRESSURE
 - PRESSURE TEST PER EMWD SPECIFICATIONS.
 - ALL MATERIALS SHALL BE PER EMWD APPROVED MATERIAL LIST.
 - ALTERNATE MATERIALS MAY BE USED UPON APPROVAL BY THE ENGINEER.
 - CORPORATION STOP AND FITTINGS AT THE PIPELINE SHALL BE PRIMED AND WRAPPED WITH APPROVED COAL TAR RESIN TAPE.
 - ALL SERVICE PIPE AND TUBING SHALL BE LAID ON A CONSTANT SLOPE UP FROM THE WATER MAIN TO THE METER. NO DIPS OR POCKETS WILL BE PERMITTED.
 - THREAD NOTATION SHOWN THUS:
 - IP = IRON PIPE THREAD;
 - CS = CORPORATION STOP (MUELLER) THREAD;
 - PJ = PACK JOINT.
 - VALVE ENCLOSURE TO BE APPROVED COLOR TAN. DOMESTIC VALVE ENCLOSURE SHALL HAVE A SINGLE BLUE COLOR STRIPE NEAR THE TOP; POTABLE- STENCIL "EMWD WATER." RECYCLED VALVE ENCLOSURE SHALL HAVE A SINGLE PURPLE COLOR STRIPE NEAR THE TOP; RECYCLED STENCIL "EMWD RECYCLED WATER".
 - PLACEMENT OF CONCRETE PAD:
 - PLACE FRONT OF CONCRETE PAD 6" MAX BEHIND EXISTING OR PROPOSED 6' OR 8' SIDEWALKS.
 - WHEN PROPOSED SIDEWALK IS 12' WIDE, PLACE FRONT EDGE OF PSD 6" BEHIND CURB.
 - WHEN NO SIDEWALK IS PROPOSED, PLACE FRONT EDGE OF CONCRETE PAD 6.5' BEHIND CURB FACE.
 - WHEN NO CURBS ARE EXISTING OR PROPOSED, PLACE BACK EDGE OF CONCRETE PAD ON PROPERTY LINE.
 - ALL RSGV AND AV & AR RUBBER COMPONENTS SHALL BE EPDM.
 - RECYCLED WATER AV & AR BODIES SHALL BE PAINTED PANTONE 522C.

REVISIONS					APPROVALS		
NO.	DATE	INITIAL	DESCRIPTION	APP'D	DATE	INITIAL	DATE
5	5/29/19	GS	UPDATED TITKE BLOCK, FONT, LOGO, AND NOTE 8	AGA	5/29/19		
4	7/11/13	GS	REVISED/ADDED NOTES, CONCRETE PAD, ROCK BEDDING, AND INCORPORATED ABOVE GRADE INSTALLATION W/ PLAN VIEW.	AGA	7/11/13		
3	5/23/00	GR	REVISED NOTE 2 & DWG NO IN CALLOUT	VJB	5/24/00	ML	10/9/95
2	4/10/97	KER	ADDED RISER DETAILS	VJB	4/23/95	VJB	9/21/95

REFERENCES: INCORPORATES B-386	SCALE: NONE	RECOMMENDED <i>Joseph D. VanSickle</i> 10/19/95 DIRECTOR OF ENGINEERING DATE
FILE I.D.: \kauai\eng\std dwgs\B-598.dgn	DRAWN BY: GS	



EASTERN MUNICIPAL WATER DISTRICT

EASTERN MUNICIPAL WATER DISTRICT
 STANDARD DRAWING
 1" AIR VALVE INSTALLATION

APPROVED <i>G. Hooite Ruggie</i> 10/20/95 ASSISTANT GENERAL MANAGER DATE	B-598
---	-------