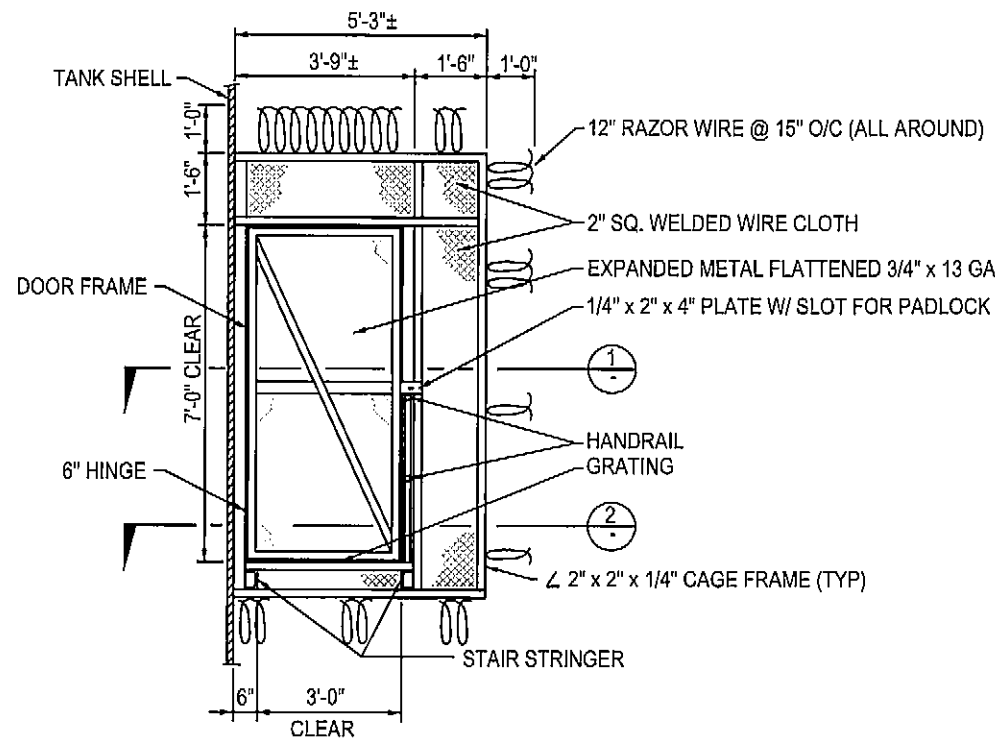


ELEVATION



SECTION B

SECURITY DOOR

STAIRWAY DESIGN LOADS

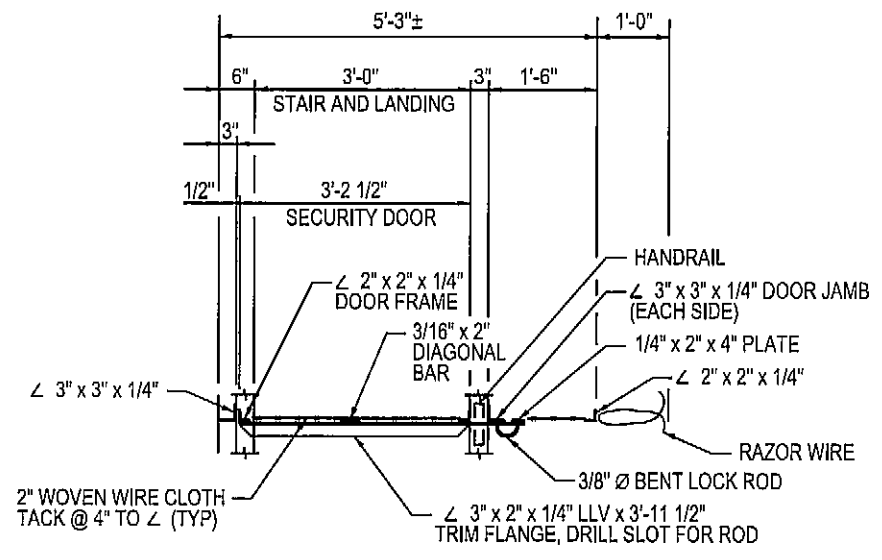
STAIR TREAD = 100 PSF
 STAIR LANDING = 125 PSF
 HANDRAILING = ASCE 7-10

SCHEDULE OF MATERIALS

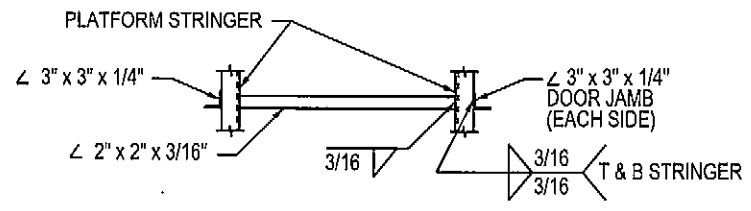
HANDRAIL	STEEL, PAINTED TO MATCH TANK EXTERIOR
GRATING (STAIR TREADS AND PLATFORM)	STEEL, PAINTED TO MATCH TANK EXTERIOR
SECURITY DOOR	STEEL, PAINTED TO MATCH TANK EXTERIOR
STAIR STRINGERS	STEEL, PAINTED TO MATCH TANK EXTERIOR

NOTES:

1. STAIR TREAD TO HAVE RISE AND RUN PER OSHA REQUIREMENTS. HEIGHT OF CONCRETE LANDING PAD ABOVE GROUND TO BE EQUAL TO STAIR RISE.
2. BOTTOM OF STAIRWAY SHALL BE AT LEAST 4'-0" CLEAR OF OBSTRUCTIONS FOR APPROPRIATE ACCESS.
3. KEEP TOP AND SIDES OF HANDRAIL CLEAR. ONLY HANDRAIL AT LANDINGS AND PLATFORM TO HAVE KICK PLATE.



SECTION 1



SECTION 2

REVISIONS				
NO.	DATE	INITIAL	DESCRIPTION	

APPROVALS		
	INITIAL	DATE
NEW BUSINESS	AGA	8/16/12
MAINTENANCE	<i>M</i>	8/29/12
INSPECTION	<i>E</i>	8/29/12
OPERATIONS	<i>K.G.</i>	8/29/12
SUBMITTED	<i>GJK</i>	8.14.12



EASTERN MUNICIPAL WATER DISTRICT
STANDARD DRAWING
 TYPICAL STEEL TANK CIRCUMFERENTIAL STAIRWAY
 (VARIES PER TANK SIZE AND HEIGHT)
 SHEET 2 OF 2

REFERENCES:
 FILE I.D.: \kawaii\eng\std\dwgs\B-966.dgn
 SCALE: NONE
 DRAWN BY: SL

RECOMMENDED
[Signature]
 DIRECTOR OF ENGINEERING
 DATE: 8-15-12

APPROVED
[Signature]
 ASSISTANT GENERAL MANAGER OF ENGINEERING
 DATE: 8/29/12
 B-978