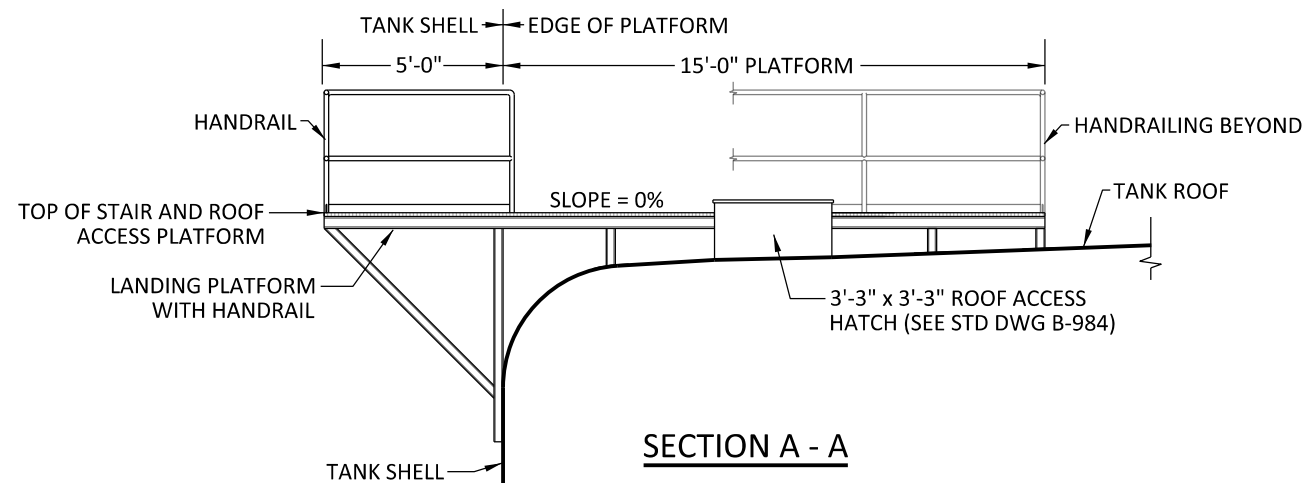
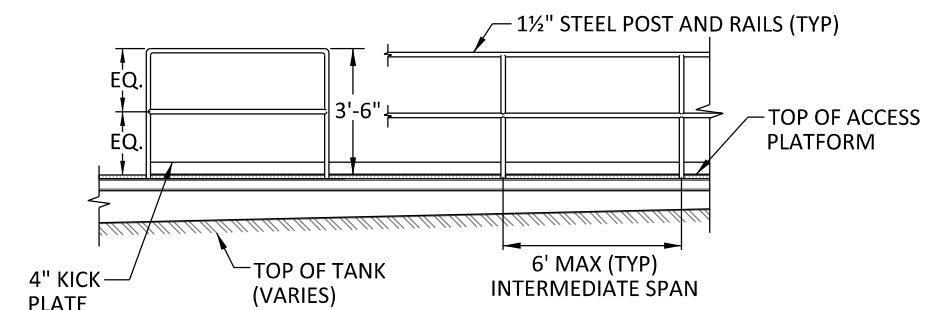


PLAN VIEW



SECTION A - A



ROOF HANDRAIL

SIDE VIEW

NOTES:

1. PLATFORM DESIGN LOAD = 125 PSF, HAND RAILING DESIGN LOAD PER ASCE 7 (CURRENT EDITION) AND CAL/OSHA
2. PLATFORM BRACING AND ANCHOR PLATE CONNECTIONS TO TANK PER CONTRACTOR DESIGN.
3. NO INTERIOR LADDER. CONFINED SPACE ENTRY ONLY.
4. FOR AN EXISTING TANK RETROFIT, CUT A NEW PENETRATION IN THE ROOF AND INSTALL A 6" SAMPLING PORT.
5. ROOF ACCESS PLATFORM SHALL BE PROVIDED FOR STEEL TANKS WITH 50-FT OR GREATER DIAMETER. APPLICATION FOR SMALLER TANKS SHALL BE EVALUATED ON A CASE-BY-CASE BASIS.
6. PLATFORM FRAMING AND ANCHOR ATTACHMENT SHALL BE DESIGNED TO ACCOMMODATE FALL PROTECTION LOADS PER CAL/OSHA SPECIFICATIONS. ANCHOR TYPE AND ARRANGEMENT SHALL BE SELECTED AND DESIGNED BY A QUALIFIED PERSON.
7. PLATFORM GRATING DESIGN BY CONTRACTOR. CONTRACTOR SHALL DEVELOP AND SUBMIT ENGINEERED FABRICATION DRAWINGS FOR FAVORABLE REVIEW BY EMWD. FIELD MODIFICATIONS WILL NOT BE PERMITTED
8. PERIMETER HANDRAIL SHALL BE INSET 6 INCHES FROM TOP OF KNUCKLE. WHERE NO KNUCKLE EXISTS, PERIMETER HANDRAIL SHALL BE INSET 6 INCHES FROM TANK SHELL.

SCHEDULE OF MATERIALS:

ROOF ACCESS HATCH	STEEL, PAINTED PER STD DWG B-984
HANDRAIL	STEEL, PAINTED TO MATCH TANK EXTERIOR
GRATING	STEEL, HOT-DIP GALVANIZED
SELF CLOSING GATE	STEEL, POWDER COATED YELLOW
KICK PLATE	4 X STEEL CHANNEL, PAINTED TO MATCH TANK EXTERIOR

REVISIONS				APPROVALS		
NO.	DATE	INITIAL	DESCRIPTION	APP'D	DATE	DATE
						DESIGN
						CONSTRUCTION
3	4/16/24	GS	REMOVED CRANE, REVISED NOTES AND CALLOUTS	CRC	4/16/24	INSPECTION
2	7/18/23	AMZ	ADDED TIE-OFF ANCHORS, MOVED SAMPLING PORT	CRC	7/18/23	OPERATIONS
1	12/17/12	SL	REVISED ROOF HANDRAIL	GK	12/18/12	SUBMITTED

APPROVALS		
RECOMMENDED	DATE	DATE
Joe Mouawad	8/15/12	
DIRECTOR OF ENGINEERING	DATE	



EASTERN MUNICIPAL WATER DISTRICT STANDARD DRAWING	
STEEL TANK ROOF ACCESS PLATFORM AND HATCH	
APPROVED	APPROVED
Charlie J. Bachmann	Charlie J. Bachmann
ASSISTANT GENERAL MANAGER	ASSISTANT GENERAL MANAGER
8/29/12	8/29/12
DATE	DATE

REFERENCES:	SCALE: NONE
FILE I.D.: J:\Master CAD Files - Restricted\B-979.dgn	DRAWN BY: SL

RECOMMENDED	DATE	DATE
Joe Mouawad	8/15/12	
DIRECTOR OF ENGINEERING	DATE	

APPROVED	APPROVED
Charlie J. Bachmann	Charlie J. Bachmann
ASSISTANT GENERAL MANAGER	ASSISTANT GENERAL MANAGER
8/29/12	8/29/12
DATE	DATE

B-979

