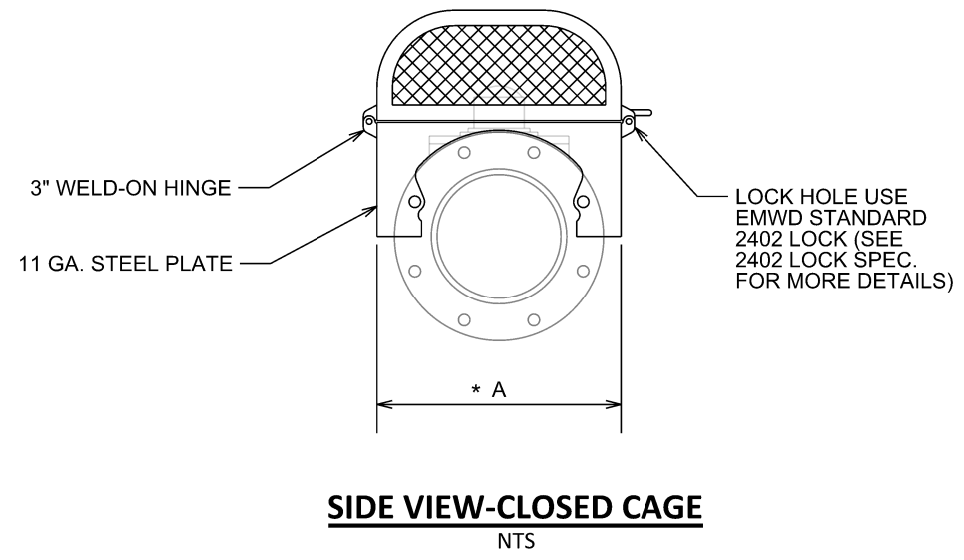
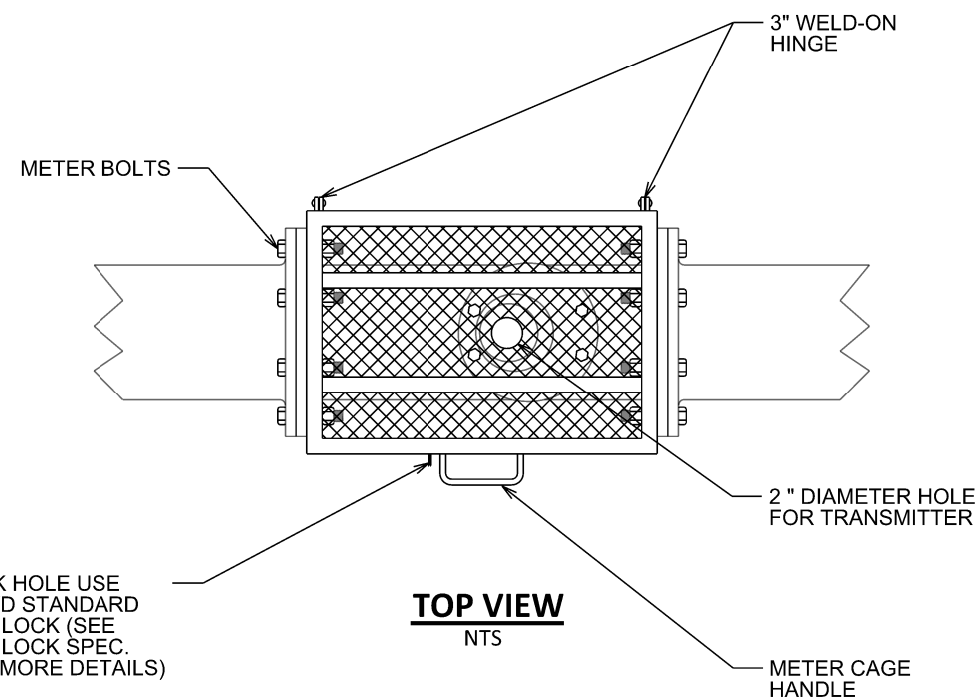


GENERAL NOTES:

- 5 INCH MINIMUM CLEARANCE SHALL BE MAINTAINED BETWEEN METER AND TOP OF CAGE. ALL DIMENSIONS ARE TO BE DETERMINED BASED ON METER SPECIFICATIONS.
- METER FLANGE BOLTS SHALL BE USED TO MOUNT ENCLOSURE.
- THICKNESS OF FRAME: 1" X 1" X 1/8" ANGLE IRON.
- EXPANDED METAL 3/4" X 9 GA DIAMOND GAUGE MESH FOR FENCING. THERE SHALL BE NO EXPOSED ENDS OF EXPANDED METAL ON THE OUTSIDE OF THE ENCLOSURE.
- LOCK HOLE SHALL FIT AN EMWD STANDARD 2402 LOCK.
- NYLON LOCKING NUTS SHALL BE INSTALLED ON THE ENCLOSURES FOUR MOUNTING POINTS.

MATERIALS LIST	
QTY	DESCRIPTION
2	3" WELD ON HINGE
4	NYLON LOCKING NUTS
1	2402 LOCK
1	METER ENCLOSURE HANDLE
TBD	BOLTS
TBD	1" X 1" X 1/8" ANGLE IRON
TBD	EXPANDED METAL 3/4" X 9 GA. FLATTENED A36 STEEL
2	11 GA. STEEL END PLATES



***IT IS THE RESPONSIBILITY OF THE CONTRACTOR TO VERIFY THE SPECIFIC METER DIMENSIONS.**

DIMENSION			
DIAMETER OF METER	A	B	C
1"	6"	3"	TO BE DETERMINED BASED ON METER DIAMETER AND HEIGHT. 5 INCH CLEARANCE FROM TOP OF METER TO TOP OF CAGE.
2"	8"	4"	
3"	10"	5"	
4"	12"	6"	
6"	14"	6"	
8"	16"	8"	

REVISIONS				APPROVALS			EASTERN MUNICIPAL WATER DISTRICT STANDARD DRAWING	
NO.	DATE	INITIAL	DESCRIPTION	APP'D	DATE	DESIGN		
						IA	10/10/16	
						BAM	12/15/16	
						KG	12/15/16	
1	5/3/19	GS	REVISED FONT	AGA	5/3/19	ES	12/15/16	
REFERENCES: FILE I.D.: \\kauai\eng\std dwgs\B-994.dgn				SCALE: NONE			EASTERN MUNICIPAL WATER DISTRICT	
				DRAWN BY: IA				
				RECOMMENDED			APPROVED <i>Charlie Bachmann</i> 12/19/16 ASST. GENERAL MANAGER OF ENGINEERING DATE	

B-994

