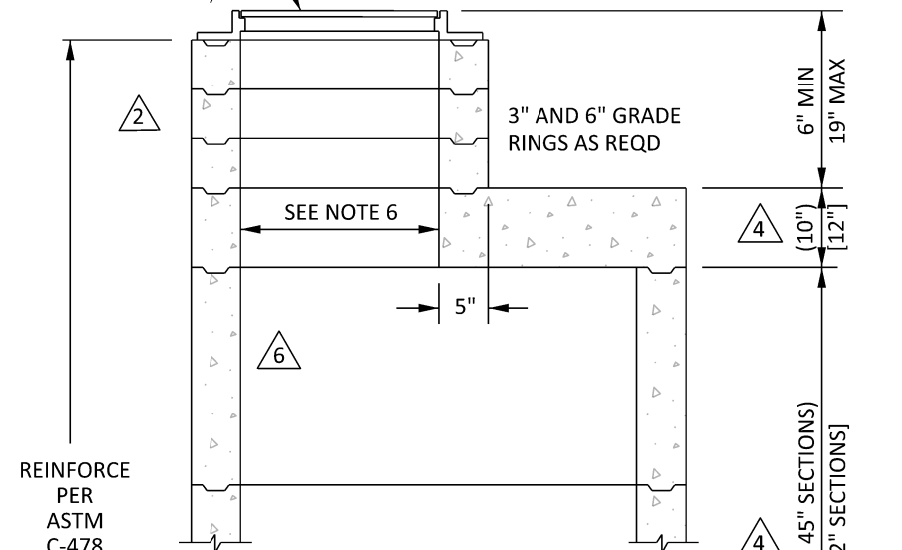
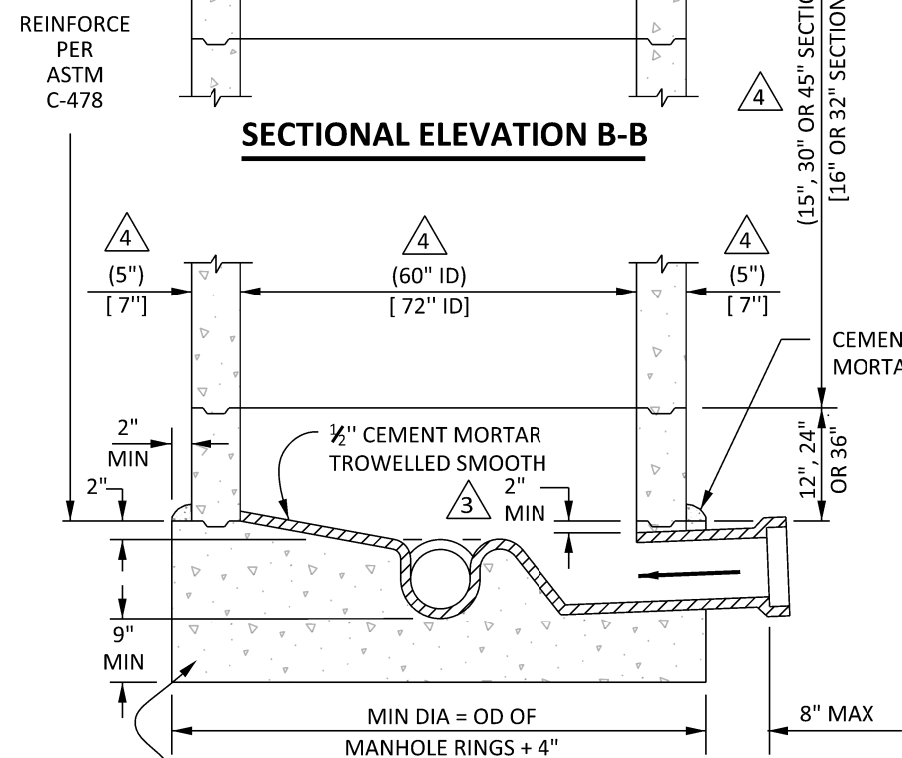


MANHOLE FRAME AND COVER SET TO GRADE SPECIFIED (SEE STD DWG SB-61)



SECTIONAL ELEVATION B-B

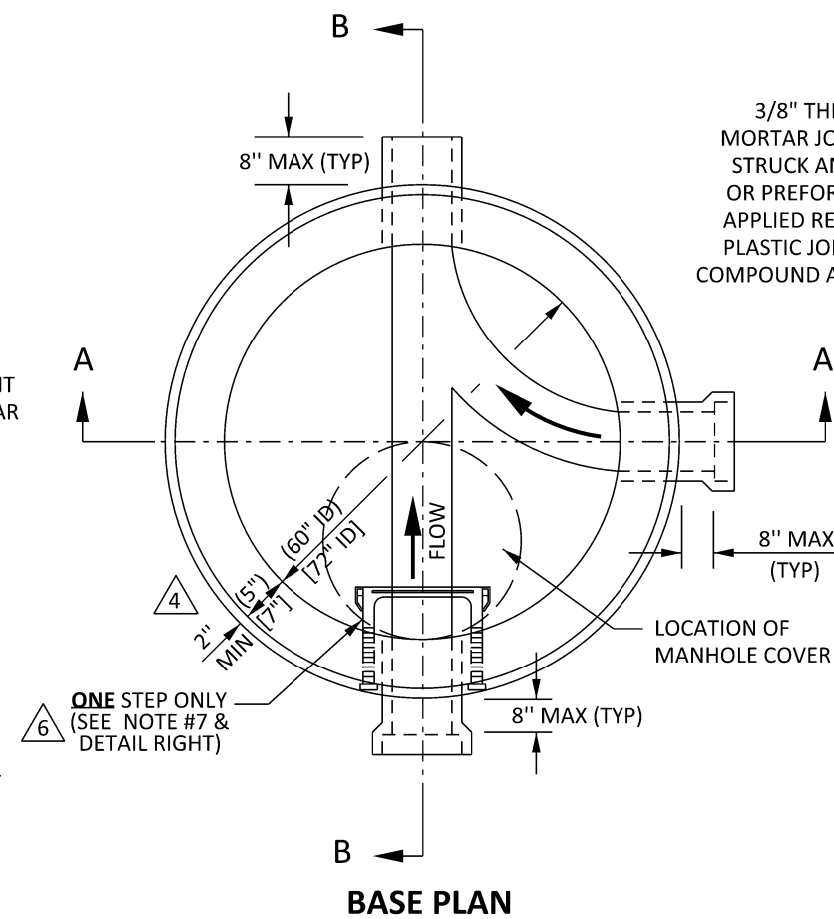


SECTIONAL ELEVATION A-A

CLASS "A" CONCRETE BASE POURED AGAINST UNDISTURBED EARTH

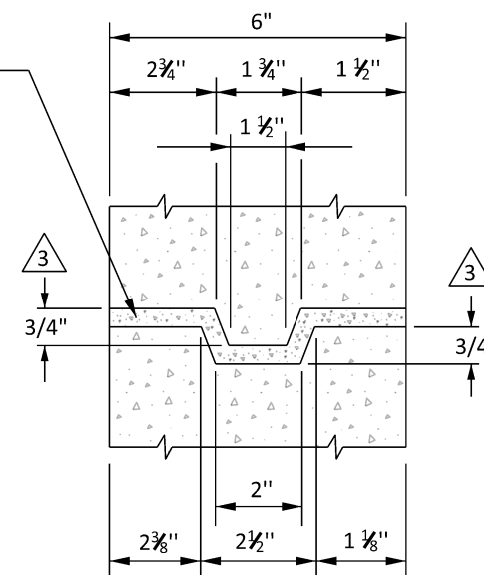
NOTES:

1. PRECAST REINFORCED CONCRETE MANHOLES SHALL CONFORM TO APPLICABLE REQUIREMENTS OF ASTM C-478 AND:
 - A. SHALL BE DESIGNED FOR AASHO H-20 LOADING.
 - B. CONCRETE SHALL BE COMPACTLY VIBRATED, CENTRIFUGALLY SPUN, OR MECHANICALLY TAMPED.
2. SEWER MAINS ARE TO BE LAID THRU THE MANHOLE WHERE POSSIBLE AND USED AS A FORM FOR THE INVERT. THE TOP 1/2 DIAMETER OF THE PIPE IS TO BE BROKEN OUT TO A NEAT LINE. BROKEN EDGES SHALL BE PLASTERED SMOOTH WITH CEMENT MORTAR.
3. CONCRETE BASE SHALL BE OF CLASS "A" CONCRETE AND PLACED IN ONE OPERATION. CONCRETE INVERTS SHALL BE TO GRADE AND ALIGNMENT AND FINISHED WITH A SMOOTH SURFACE. SPECIAL CARE SHALL BE USED IN FORMING ALL CHANNELS TO FACILITATE THE FLOW OF SEWAGE.
4. ALL MANHOLE TOPS SHALL BE INSTALLED WITH THE MANHOLE COVER OVER THE UPSTREAM INLET, EXCEPT AS OTHERWISE SPECIFIED.
5. SEE DWG SB-61 FOR DETAILS AND INSTALLATION OF MANHOLE COVER AND FRAME.
6. CONTRACTOR TO USE MANHOLES WITH A 24" CLEAR OPENING FOR SEWERS 24" DIA AND SMALLER AND 36" CLEAR OPENING FOR SEWERS LARGER THAN 24" UNLESS OTHERWISE DIRECTED BY THE ENGINEER.
7. MANHOLE STEP (ONE STEP ONLY) SHALL BE EITHER CAST IN PLACE OR M.A. INDUSTRIES STEEL REINFORCED COPOLYMER POLYPROPYLENE PLASTIC DRIVE-IN STEP. INSTALLATION TO BE BY MANHOLE MANUFACTURER. STEP ORIENTED 180° FROM MANHOLE OUTLET. STEP SHALL BE CAST IN PLACE TO BE USED AS CLEANING HOOK AND SHALL BE PLACED 6" MIN AND 12" MAX FROM TOP OF SHELF.
8. DIMENSIONS PERTAINING TO 60" ID REINFORCED MANHOLES SHOWN IN PARENTHESES (X"). DIMENSIONS PERTAINING TO 72" ID REINFORCED MANHOLES SHOWN IN BRACKETS [X"].

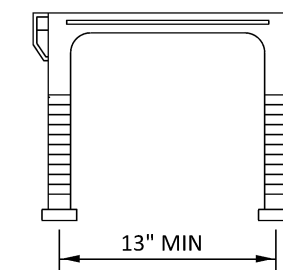


BASE PLAN

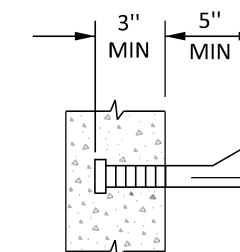
3/8" THICK CEMENT MORTAR JOINT NEATLY STRUCK AND POINTED OR PREFORMED COLD-APPLIED READY TO USE PLASTIC JOINT SEALING COMPOUND AND PRIMER



JOINT DETAIL



1/2" DIA ENCAPSULATED STEEL BAR TO BE PRECAST



MANHOLE STEP DETAILS

USED AS CLEANING HOOK (ONE STEP ONLY, SEE NOTE 7)

REVISIONS				APPROVALS		
NO.	DATE	INITIAL	DESCRIPTION	APP'D	DATE	DATE
6	7/7/21	GS	REVISED MANHOLE STEP NOTE 7 AND DETAILS	AGA	7/7/21	1/30/67
5	6/28/19	GS	UPDATED TITLE BLOCK, FONT, LOGO AND PAGE LAYOUT	AGA	6/28/19	
4	2/2/07	RE	REVISED NOTE 7 AND SECTIONAL ELEVATIONS	JM	2/2/06	
3	9/22/06	RE	REVISED NOTE 3 AND JOINT DETAIL DIMENSIONS	JM	9/25/06	
2	12/11/96	KER	REVISED STEP DETAIL AND NOTE 8	VJB	12/11/96	

REFERENCES:	SCALE: NONE
FILE I.D.: \kauai\eng\std dwgs\SB-54.dgn	DRAWN BY: KER

APPROVALS		
DESIGN	CONSTRUCTION	INSPECTION
JIS		

RECOMMENDED _____
DIRECTOR OF ENGINEERING _____ DATE _____



EASTERN MUNICIPAL WATER DISTRICT
STANDARD DRAWING
PRECAST REINFORCED CONCRETE 60" & 72" ID FLAT TOP MANHOLE

APPROVED Doyle J. Boen 1/67
ASSISTANT GENERAL MANAGER DATE